

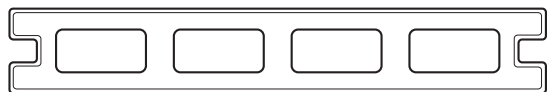
Fitting Guide

HD DECK®

3D+

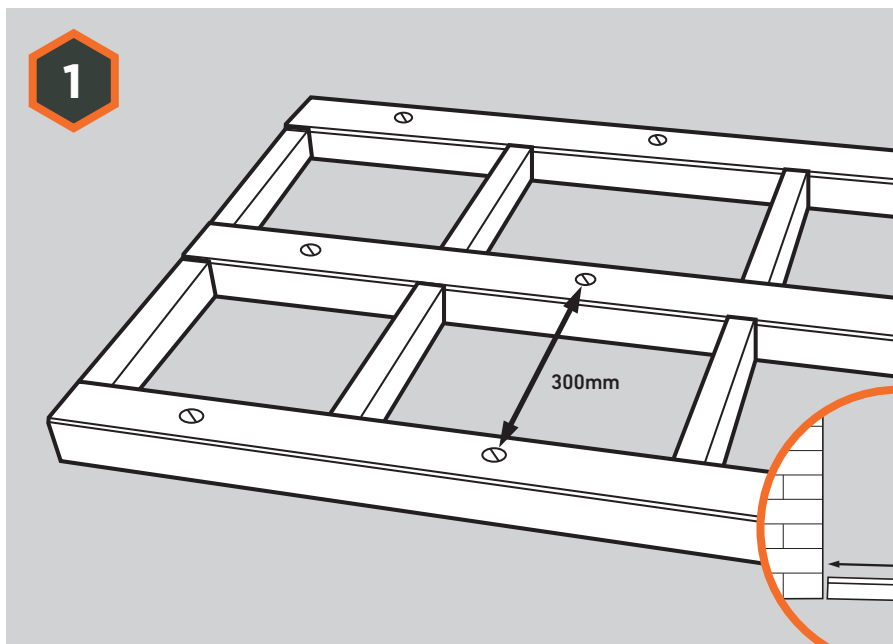
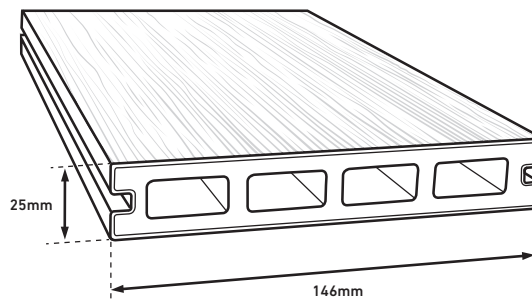
A Composite Prime Product

It is recommended that *HD Deck® 3D+* is installed as per this fitting guide, **paying special attention to steps 1 & 6**



*when using more than one pack on a project please install mixing packs together to ensure a random distribution of colour variation

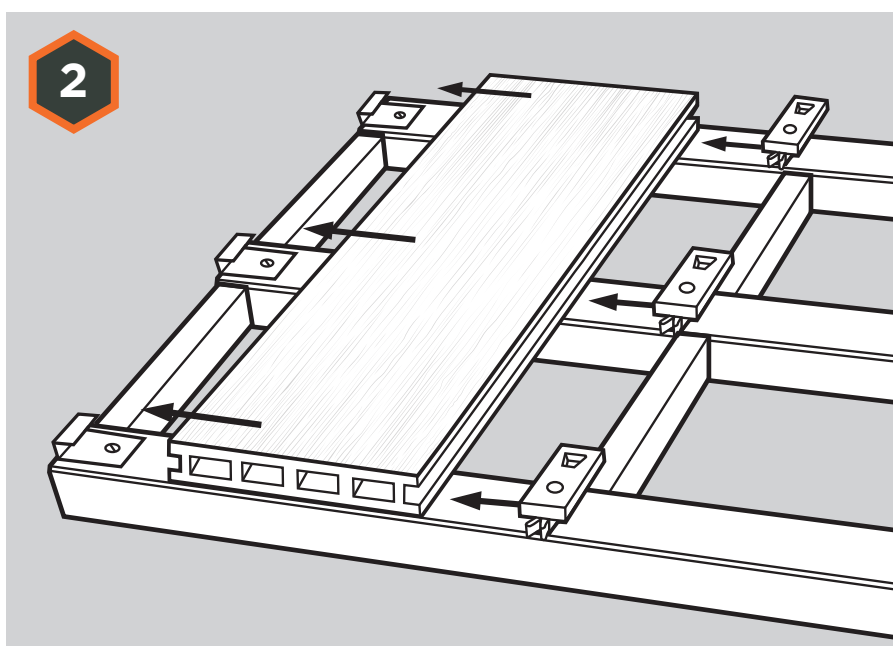
Deck Board Dimensions:
25 x 146 x 3600mm



We recommend using UC4 treatment C24 grade treated 47x100mm timber joists and building in a gradual gradient of at least **1 in 100** (1%) that runs away from any adjoining buildings. Boards should run lengthways down this gradient to help water naturally disperse.

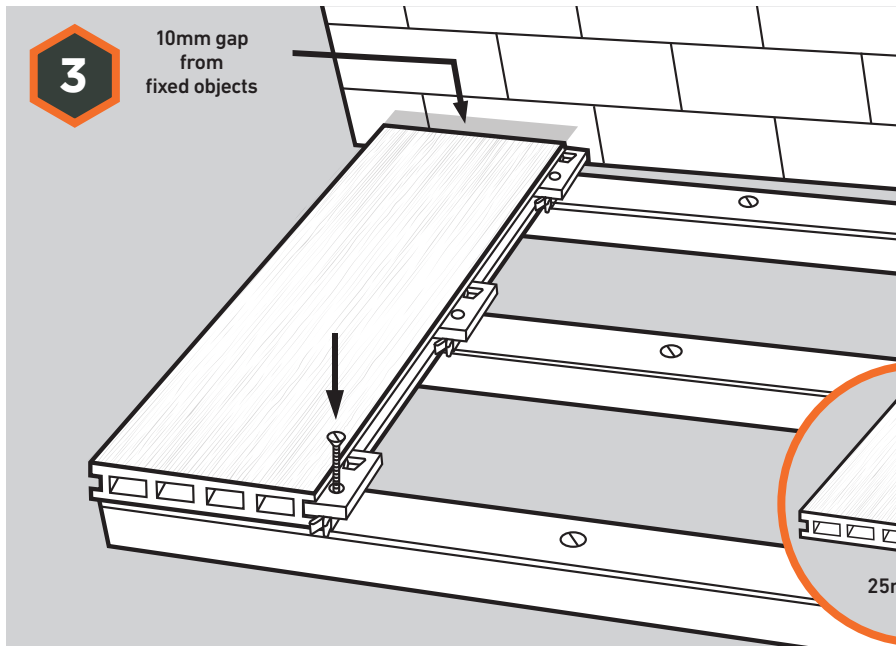
IMPORTANT

Spacing between the joists should be **300mm**.



We recommend adding **HD Protect™** Premium Joist Tape to the top and exposed cut ends of the timber to protect it from moisture that can cause rot and loosening of screws.

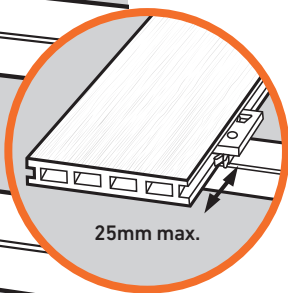
Place the first piece of decking on the timber frame with the decking running perpendicular to the joists. The first piece of deck may be secured with starter clips. **Do not screw or nail through HD Deck® 3D+**, use one Universal Clip and screw on every joist.



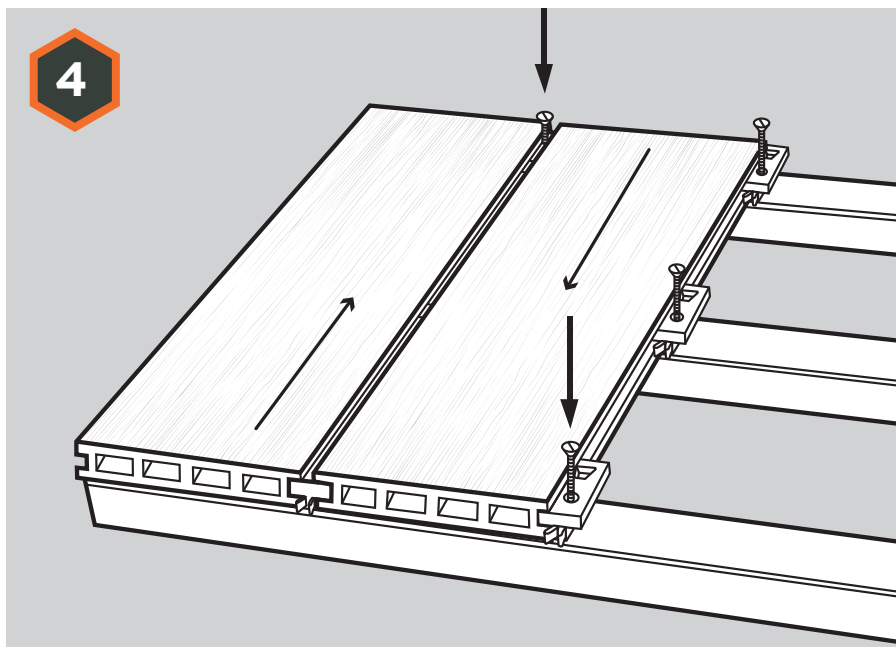
3

10mm gap from fixed objects

To secure the first board, use one Universal Clip and screw on every joist. Take a screw, place in the hole located in the Universal Clip and screw into the wooden joist. **Do not tighten at this stage.** Make sure the boards do not overhang the joist at the edge by **more than 25mm** and a **10mm expansion gap** should be left between the wall or other fixed objects surrounding the deck.



25mm max.

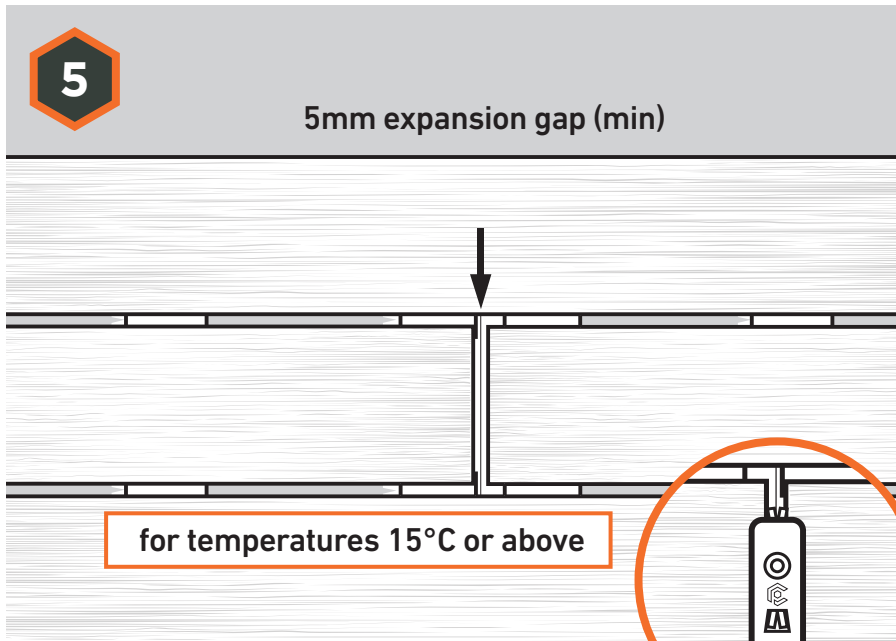


4

Take the next piece of deck and securely push into the Universal Clips. Now nip the screw to secure the Universal Clip against the board. **Do not over tighten.** Repeat steps 3 and 4 to cover the deck, using one Universal Clip and screw on every joist.

CUTTING NOTE

All boards should be acclimatised to the same temperature, kept in the shade and out of direct sunlight prior to cutting to length. When cutting, always saw the board face up with a new fine-toothed blade to prevent dragging that can cause furring and split ends after installation. If making a large number of cuts, the blade should be replaced regularly.



5

5mm expansion gap (min)

for temperatures 15°C or above

IMPORTANT

Do not allow deck boards to meet at the ends.

When installing in temperatures of:

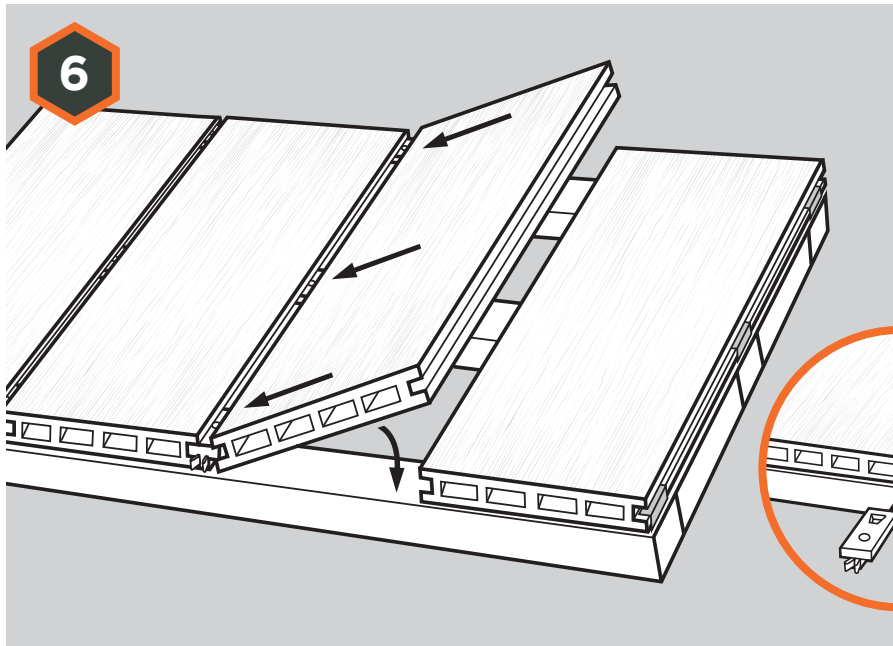
- 15°C or above allow a **5mm gap for expansion.**
- Between 10-15°C allow a **6mm gap for expansion.**
- Between 5-10°C allow a **7mm gap for expansion.**

Do not install in temperatures below 5°C.

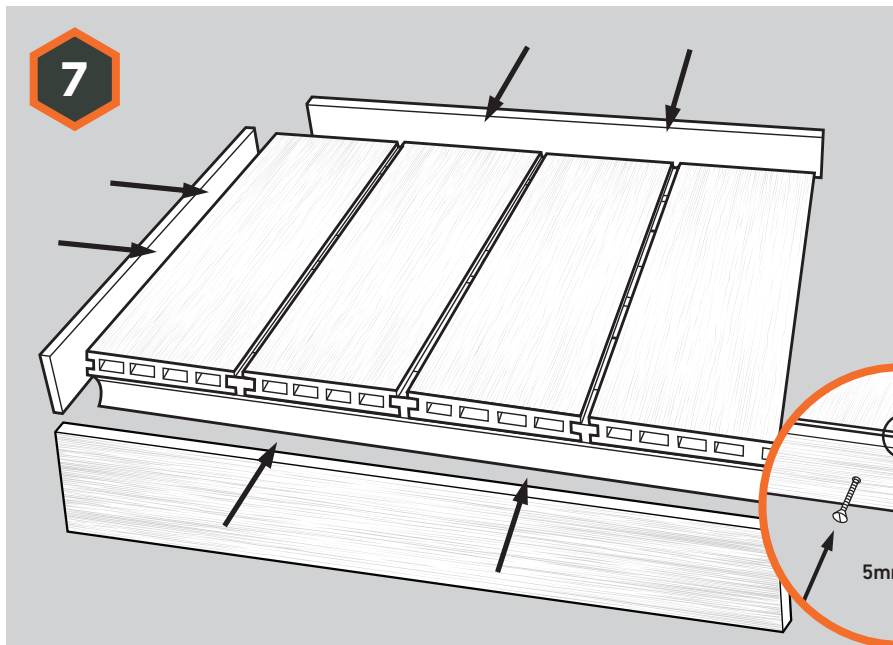
Joins should only occur over double joists with each end having a clip securing it.

TIP

Use clip to ensure equal space between boards.



To fit the final boards, first measure the width of the final two boards to find out where the outer edge of the final board will lie. Using these marks, fit starter clips and slot the final board into place. Now insert the penultimate board, slide down the required number of Universal Clips and screw these into place.



If using fascia, drill pilot holes with counterbore through the fascia at 200-300mm intervals. According to ambient temperature allow a **5-7mm gap** between end of deck board and the fascia. Screw fascia to the joist. Always screw fascia to the joist at a 90° degree angle.

150mm Fascia

- 1. Pre Drill 5mm
- 2. Screw



HD PROTECT™

A Composite Prime Product

IMPORTANT

To maximise the life span and performance of your subframe we recommend using **HD Protect Premium Joist Tape**.

Installing the tape to the top of the subframe and all exposed cut ends of the joists will extend joist life by preventing water ingress within the framework between the deck board and joists.

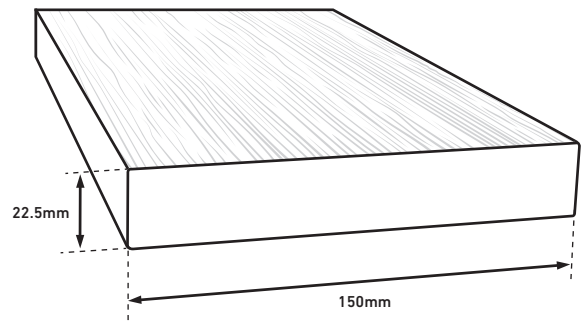
The HD Protect Tape is designed to seal around the screws to prevent joists rotting and loosening of screws.

Installing the Square Shoulder

It is recommended that *HD Deck® 3D+* square shoulder deck board is installed as per this fitting guide, paying special attention to the following steps.

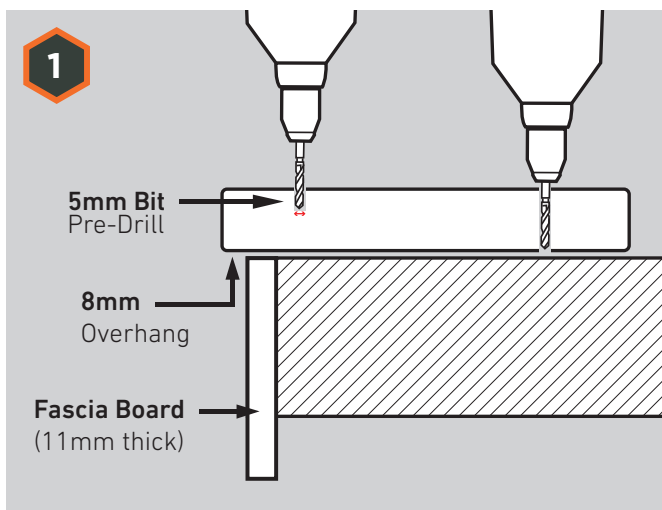
NOTE *HD Deck® 3D+* square shoulder is 150mm wide.

TIP Check the grain direction of the square shoulder before arranging the rest of the deck.

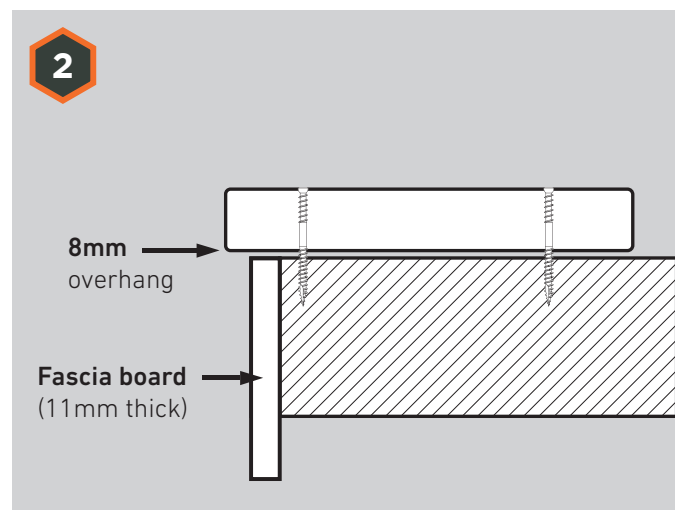


Square Shoulder Dimensions: 150 x 11 x 3600mm

For an overhang finish

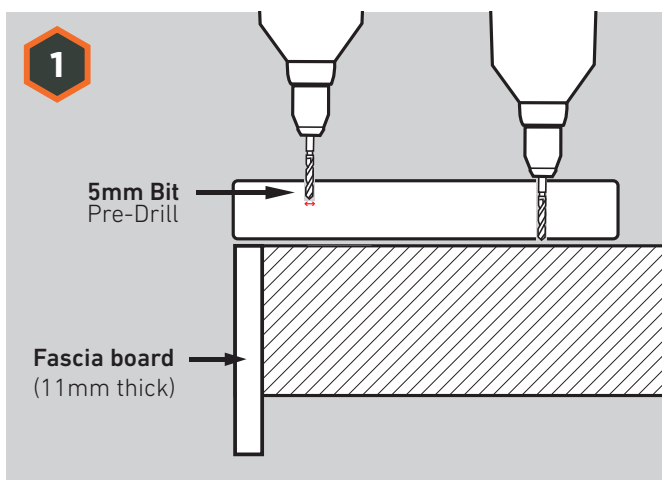


1. Use 5mm Pre Drill Bit. Drill through board.
2. Then use Screw to fix the board.

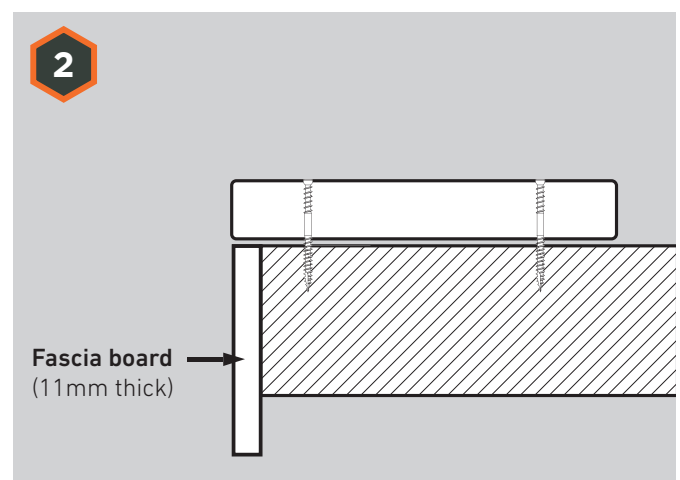


When fixing the *HD Deck 3D+* square shoulder with an overhang, pre-drill the board before fixing into the joist, with the head of screw slightly below the face of the board.

Flush finish

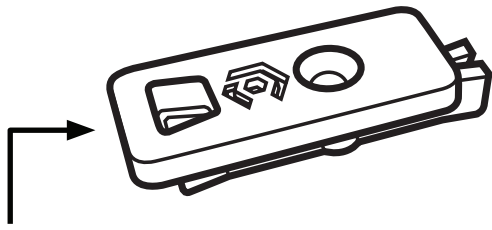


1. Use 5mm Pre Drill Bit. Drill through board.
2. Then use Screw to fix the board.



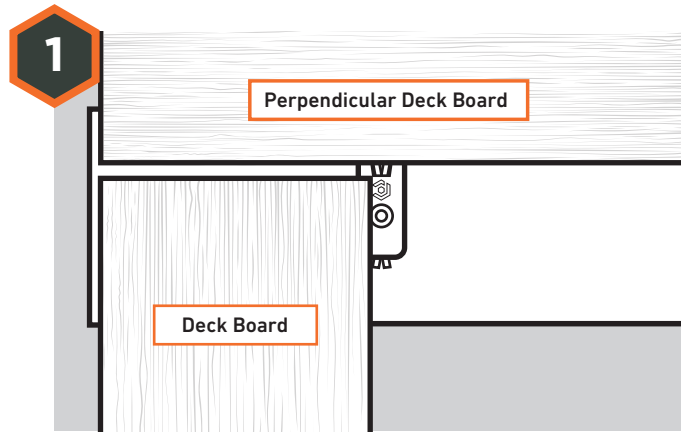
When fixing the *HD Deck 3D+* square shoulder, pre-drill the board before fixing into the joist, with the head of screw slightly below the face of the board.

Using the Universal Clip on Perpendicular Deck Board

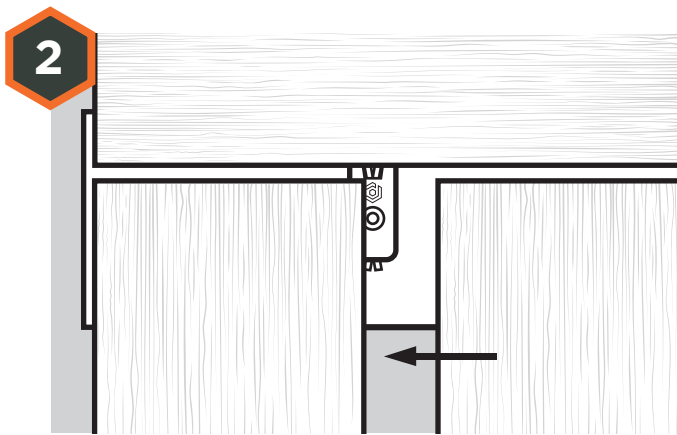


Overhanging front end for perpendicular deck board installation

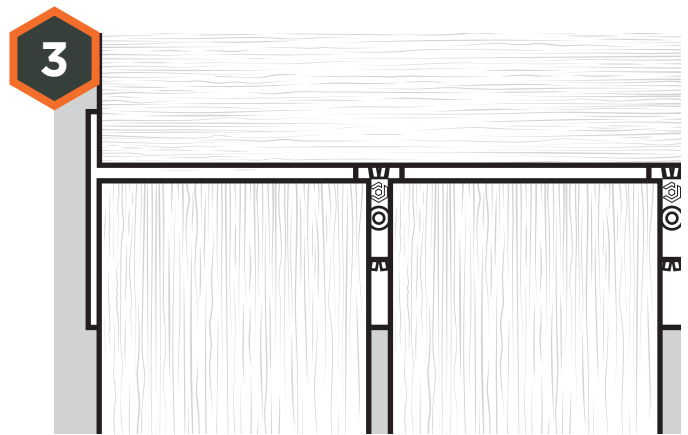
It is recommended that HD Deck® 3D+ is installed using our Universal Clip. This clip is designed to enable you to also fit the HD Deck® 3D+ perpendicular deck board and create designs where the boards are fitted at right angles to each other.



Insert the Universal Clip as shown in the diagram with the front of the clip positioned in the groove of the secured perpendicular deck board.



Screw the Universal Clip to the joist, then securely push the next deck board in place.



Repeat this process for the remaining deck boards, making sure the fronts of all the Universal Clips are firmly in the groove of the perpendicular deck board.

CARE & MAINTENANCE GUIDELINES

Care Guidelines

HD Deck® 3D+ is a low maintenance product but periodic cleaning is recommended. Your HD Deck® may appear clean, however, it is important to prevent the build-up of pollen and debris that can cause mold growth. It is recommended that furniture placed on HD Deck® 3D+ is fitted with rubber or felt feet to prevent unnecessary scrapes.

Weathering

During the first 6-12 months the colour pigments will stabilize, during this time fading may occur before weathering naturally.

Cleaning Guidelines

Domestic pressure washers may be used with caution, in conjunction with the spray nozzle, to remove stains, ground-in dirt and chalk. Keep a **minimum distance of 1ft between the nozzle and the deck** to prevent damage to the deck.

It is always recommended that you test a small area in an inconspicuous place to determine if the cleaning product being used to clean/remove stains from your deck will cause any unwanted discolouration.

Dirt, debris and watermarks

Clean the decking to remove dirt or debris by using soap, hot water and a stiff bristle. Rinse thoroughly.

Mold and Mildew

Use an organic patio cleaner such as Algon or a light bleach solution. Ensure all detergent is washed off after use.

Berries and Wine Stains

Mix an eco-friendly bleach in hot water. Scrub the stain lightly and immediately rinse the area thoroughly. Note: Using too much bleach may cause lightening of the deck colour. The stain may not disappear entirely.

Rust Stains, Ground-in Dirt and Grime

Use a cleaning product containing oxalic or phosphoric acid base to lighten or remove the rust or dirt. Product may need to sit on stain 10-15 minutes. Rinse thoroughly.

Oil and Grease Stains

Scrub in a household-degreasing agent as soon as the stain occurs. Rinse thoroughly with warm water. Or use Abzorbit™ grease and oil stain remover.

Chalk Markings

Scrubbing the area with hot soapy water may dislodge some of the chalk. Rinse thoroughly.

Ice and Snow

Rock salt, available in many home centres, will melt ice on decking. Rinse thoroughly when practical.

Images and drawings are for illustrative purposes only. HD Deck® 3D+ may be laid in a variety of patterns, we recommend that you draw out how you would like your deck to appear, making notes of joints and joists before starting the installation. For elevated decks greater than 600mm (0.6m) in height we recommend using a professional installer. **When cutting, always saw the board face up with a new fine-toothed blade to prevent dragging that can cause furring and split ends after installation. If making a large number of cuts, the blade should be replaced regularly.**

**DON'T FORGET
TO REGISTER YOUR WARRANTY,
WITHIN 45 DAYS OF PURCHASE, AT:
www.composite-prime.com/register-warranty**

