

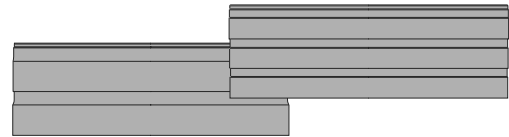
HD FENCE®

A Composite Prime Product

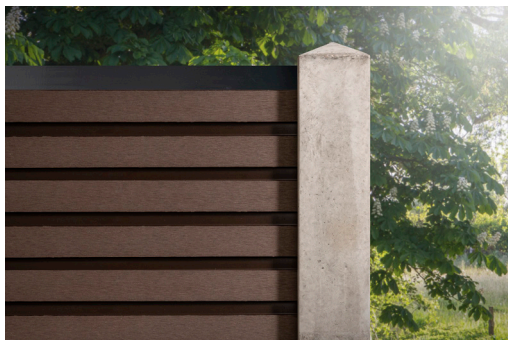


Fitting Guide

It is recommended that *HD Fence®* is installed as per this fitting guide.

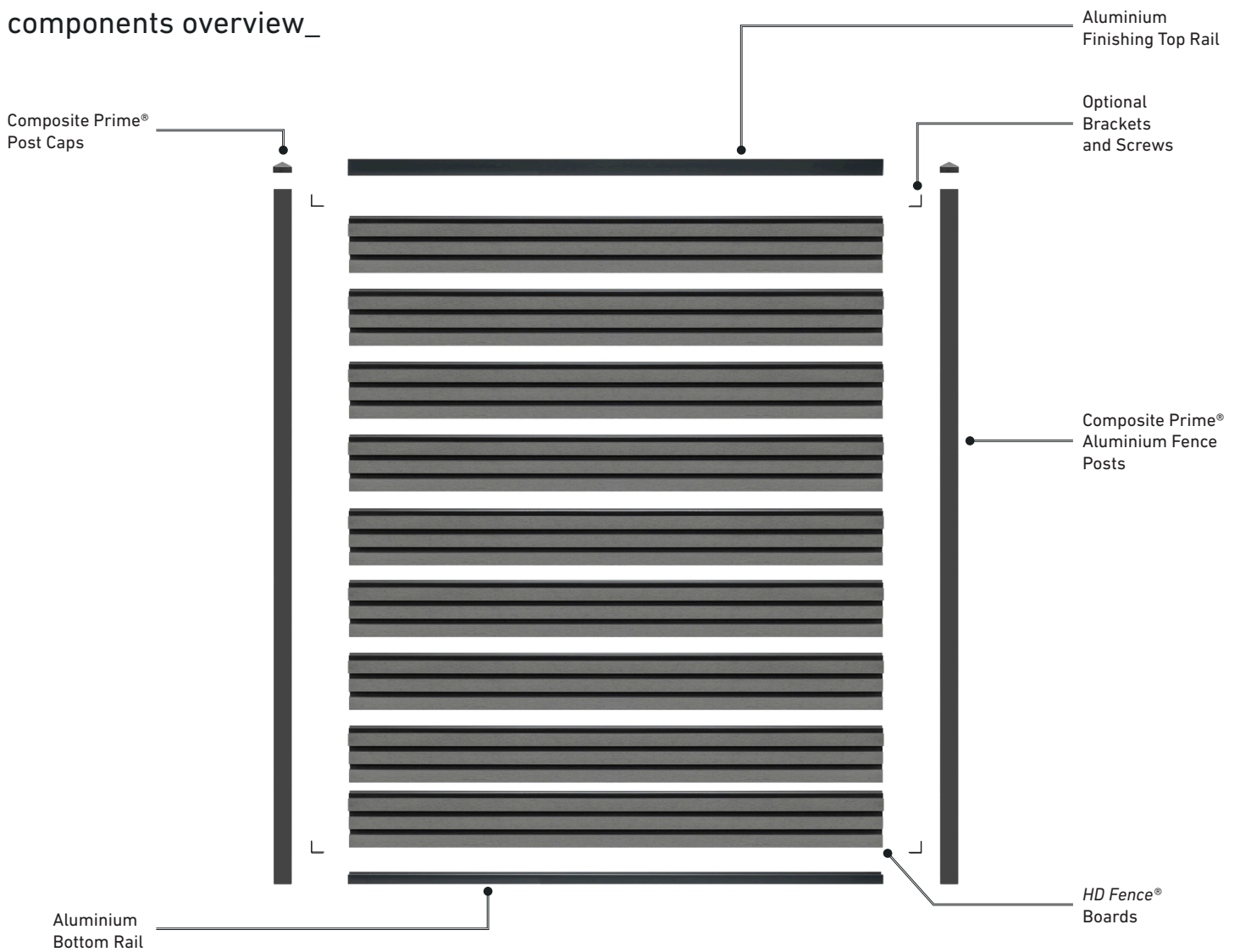


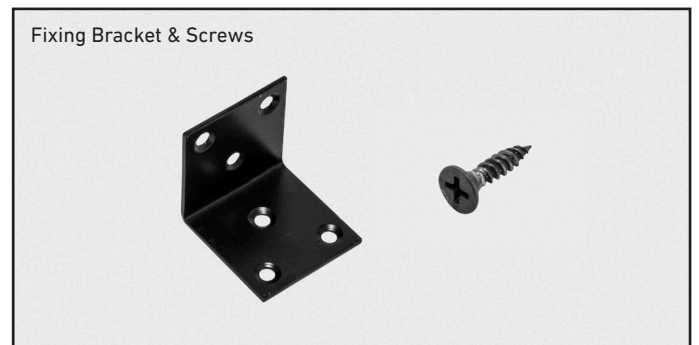
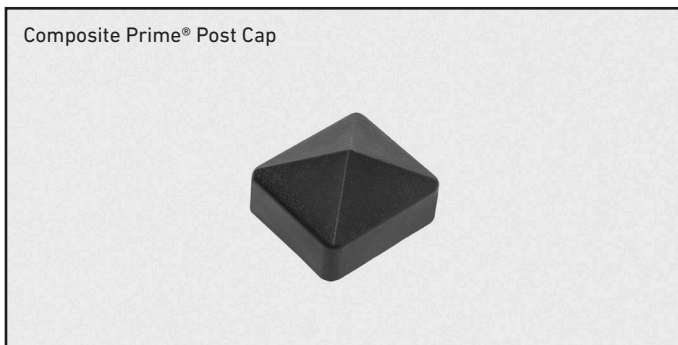
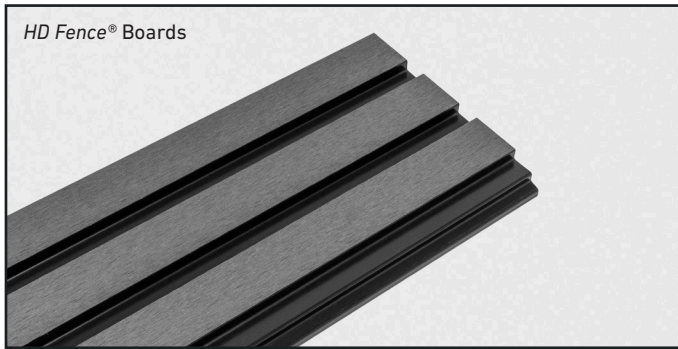
HD Fence®
fitted with Composite Prime® posts
page 02



HD Fence®
retro fitted with concrete
posts **page 10**

components overview_





required tools_

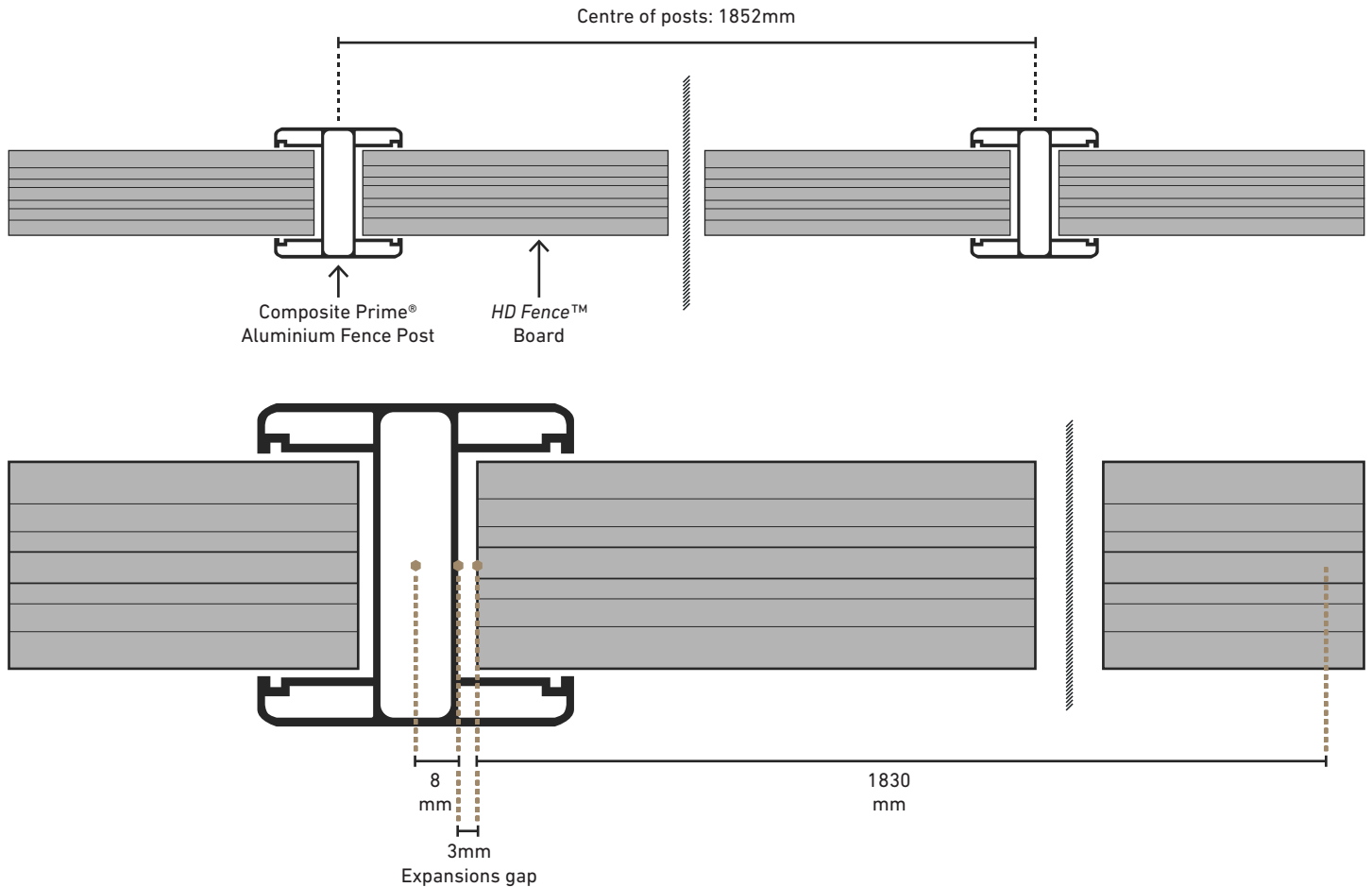
Recommended tools to install *HD Fence®* :

- Stringline
- Tape measure
- Spirit level
- Hole digging equipment
- Hand saw / mitre saw
- Protective eye wear and gloves + relevant Personal Protection Equipment (PPE)
- If fitting fixing bracket power drill with 6mm drill bit

guidance on materials_

Step 1: Measure the length and height of your planned fence.

To work out how many *HD Fence*® boards you will need divide the length of the fence / 1852mm. This measurement is the total width of a panel including the centre of the posts as illustrated below.



As shown in the above diagram, the correct layout includes an expansion gap of 3mm between the *HD Fence*® boards and the Composite Prime® Aluminium Posts. This accounts for slight expansion during varying weather conditions.

Step 2: Calculate the height

Board Dimensions:

50 x 201.5 x 1830mm

(50 x 192.5 x 1830mm when installed)

1800 x 1800mm (6ft) panel consists of:

9 x *HD Fence*™ Boards

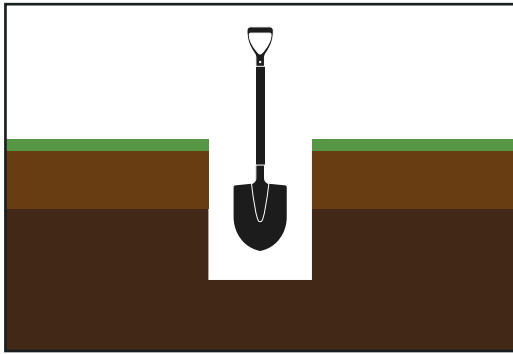
1 x Aluminium Bottom Rail

1 x Aluminium Finishing Top Tail

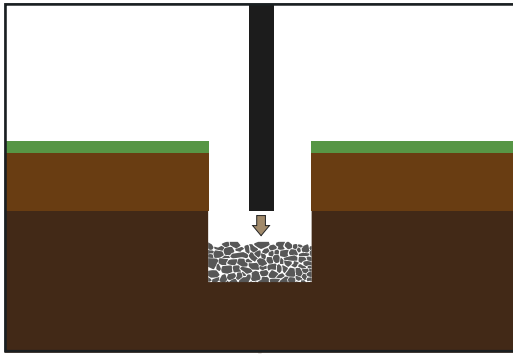
To reduce the height of your desired fence, remove *HD Fence*® boards as required.

installation_

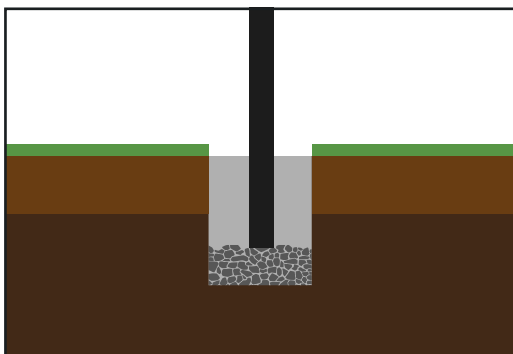
Step 1: Installing the posts



When digging the holes for the posts make sure that at least a minimum of 1825mm of the post is above the ground.



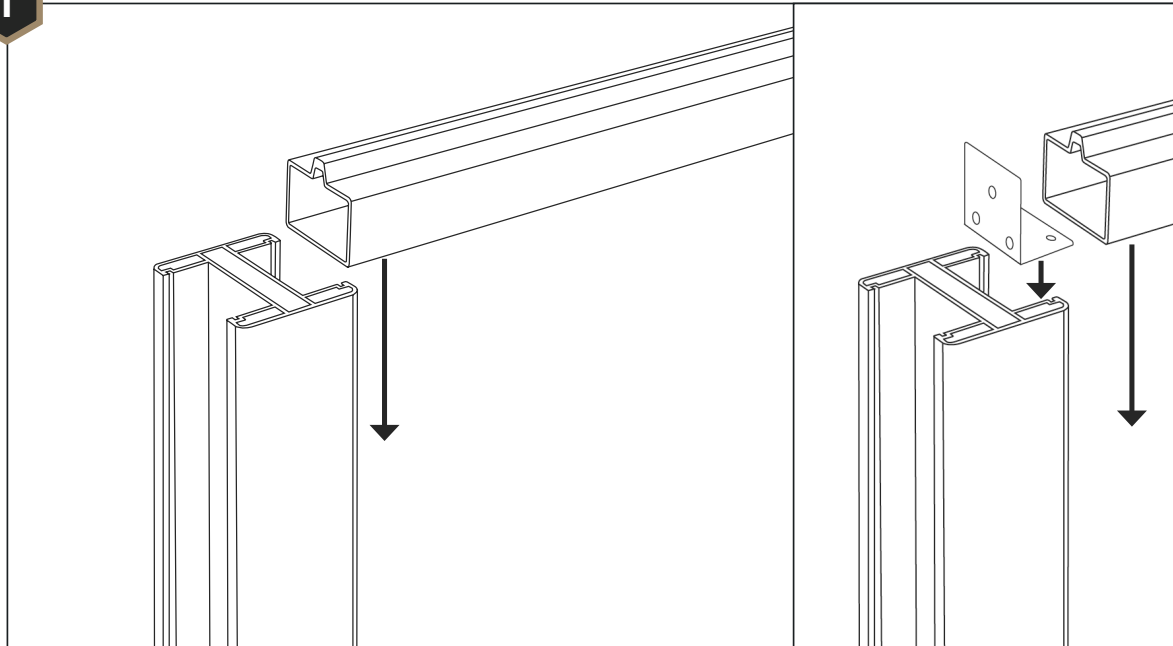
To prevent the post from sinking, pour some type 1 MOT aggregate into the bottom of the hole then place in the post making sure it's centre is 1852mm from the centre of the next post.



Now pour the concrete into the hole ensuring that the post is level. Leave the concrete to set. Repeat this process for all the posts making sure the fencing panels fit between all the posts.

Step 2: Installing HD Fence®

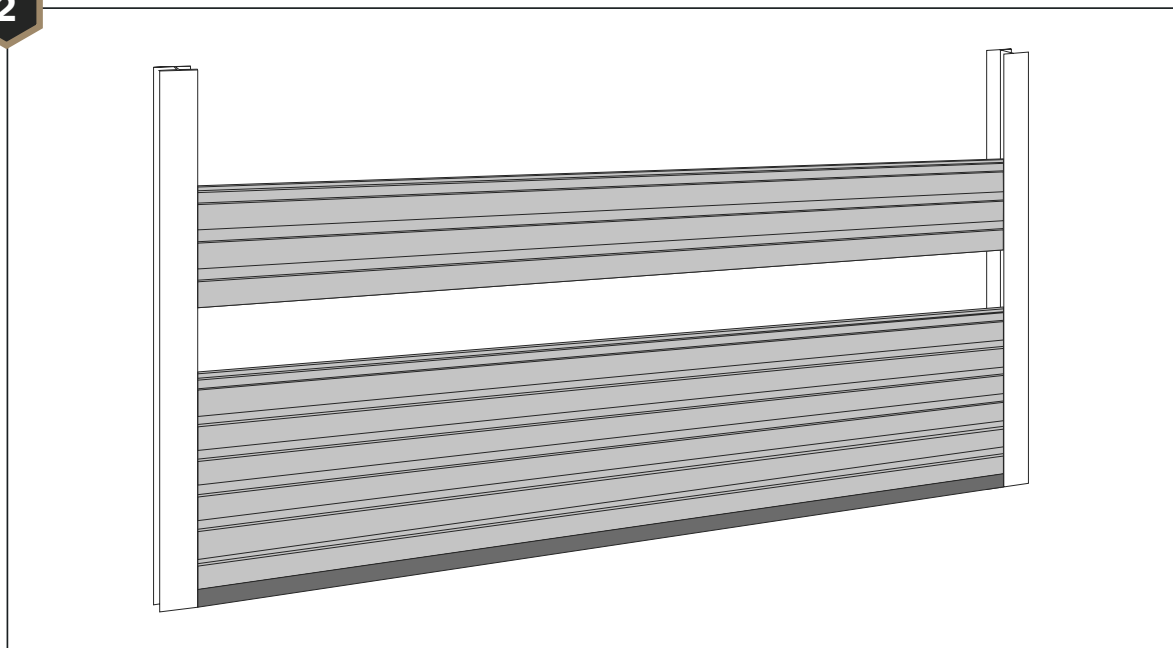
1



Place the Aluminium Bottom Rail between the Composite Prime® fencing posts and slide to the bottom.

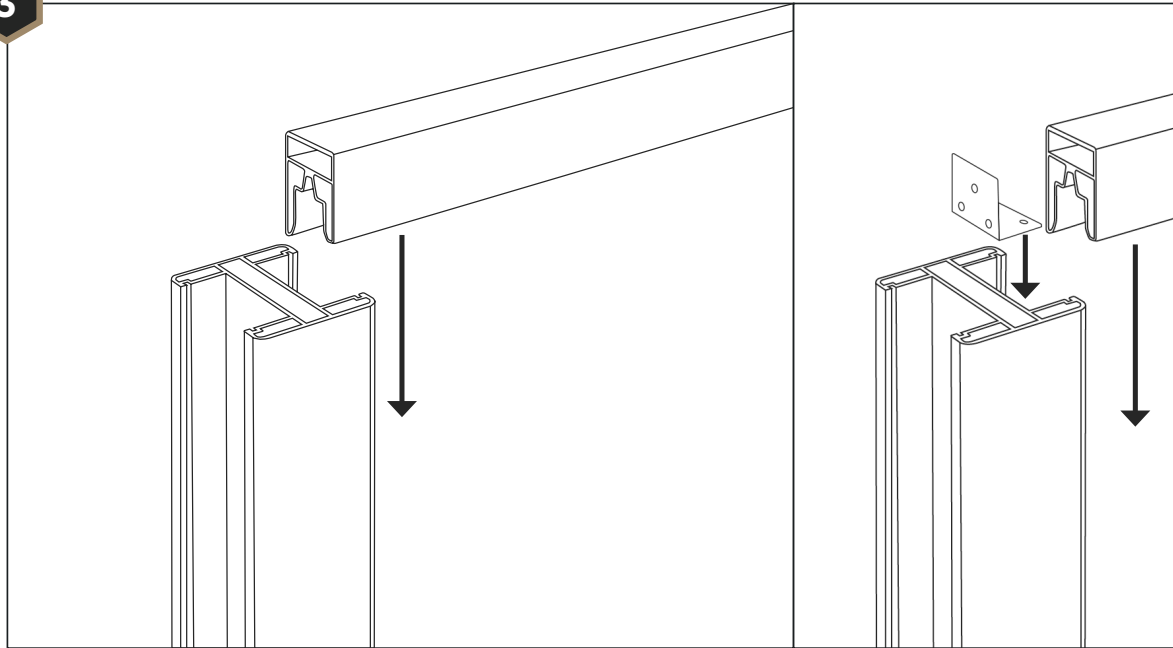
*Level with the optional Fixing Bracket and Screws.

2



Slide the HD Fence® boards into position, making sure the bottom one is level. Continue sliding in the boards until the panel is completed.

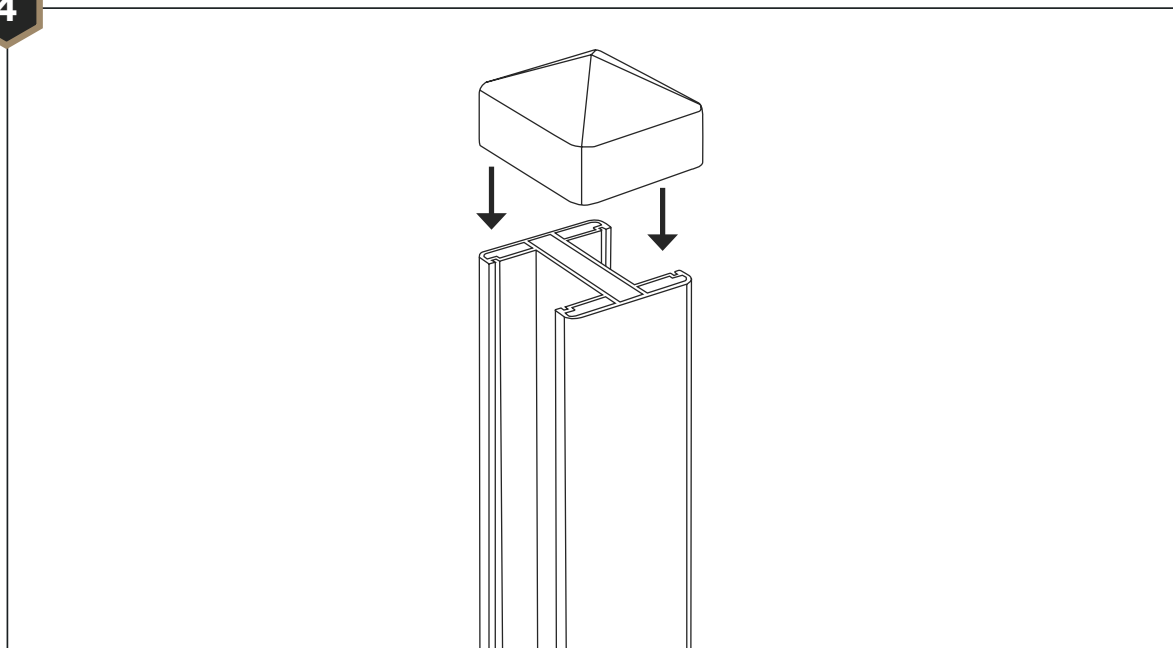
3



Once all boards are fitted in place, finish the panel with the Finishing Aluminium Top Rail.

*Secure with the optional Fixing Bracket and Screws.

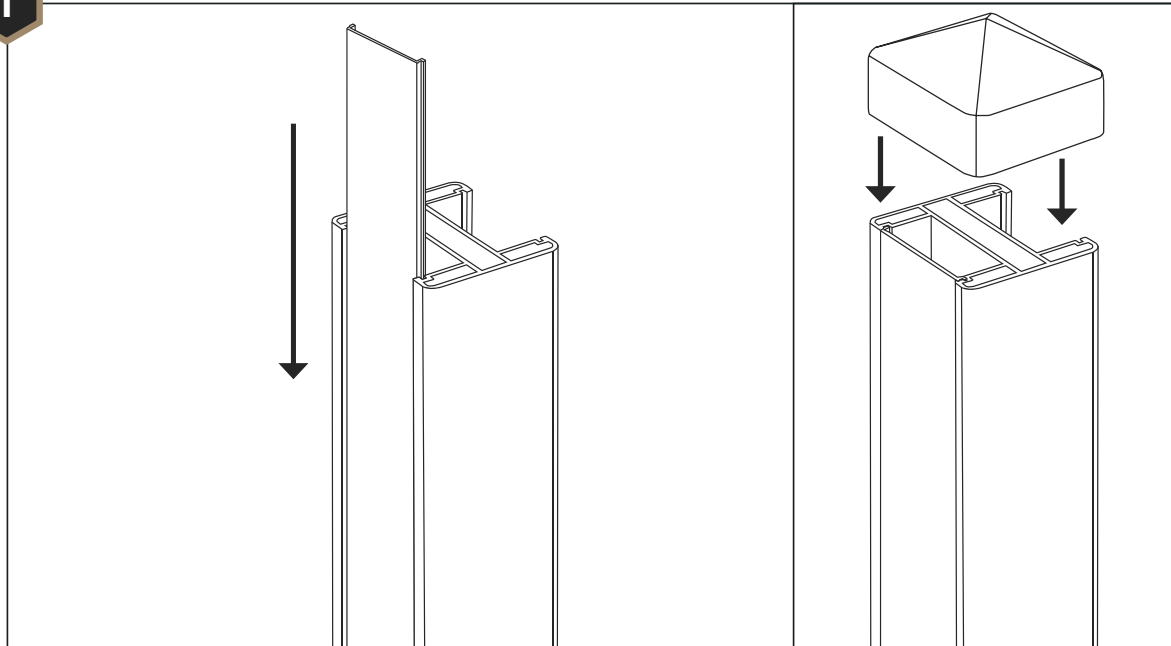
4



Place Composite Prime® Post Caps on both posts.

Optional: Installing *HD Fence®* Post Groove Cover to create end post.

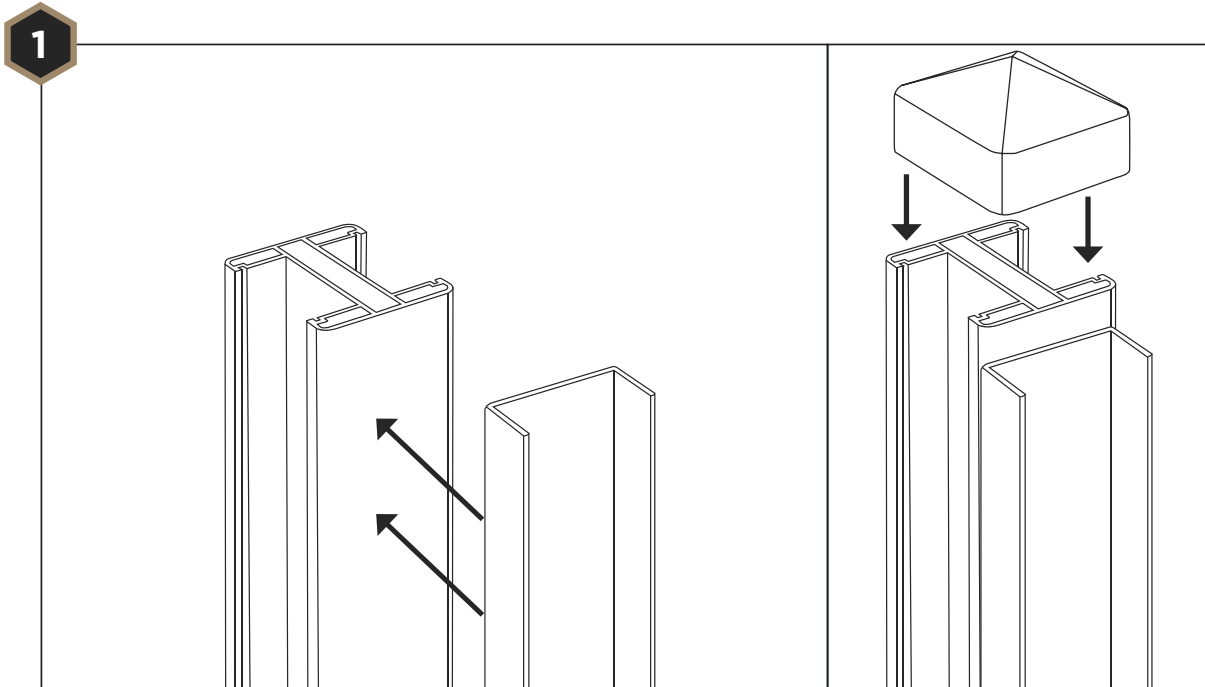
1



Slot the Aluminium Groove Cover into the side of the Composite Prime® fencing post and slide to the bottom.

*Once Groove Cover and Fence Boards are installed place Post Cap on the post.

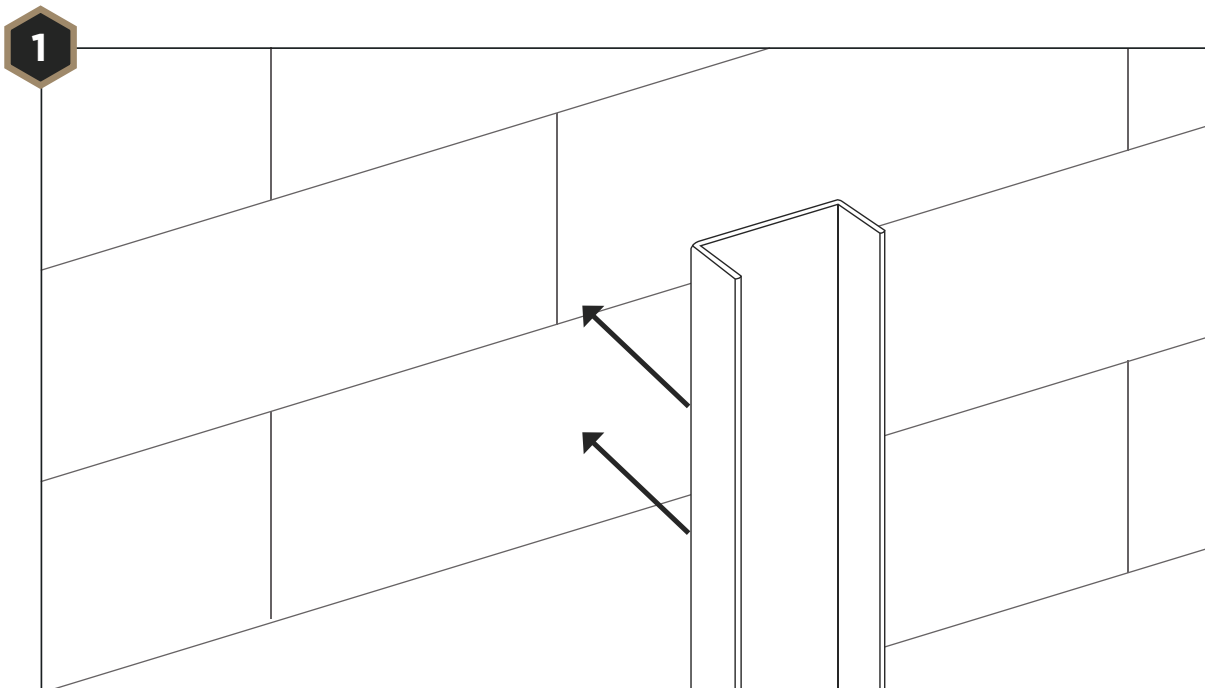
Optional: Installing *HD Fence®* U Channel to create corner post.



Place the U Channel onto the side of the Composite Prime® fencing post and fix with screws.

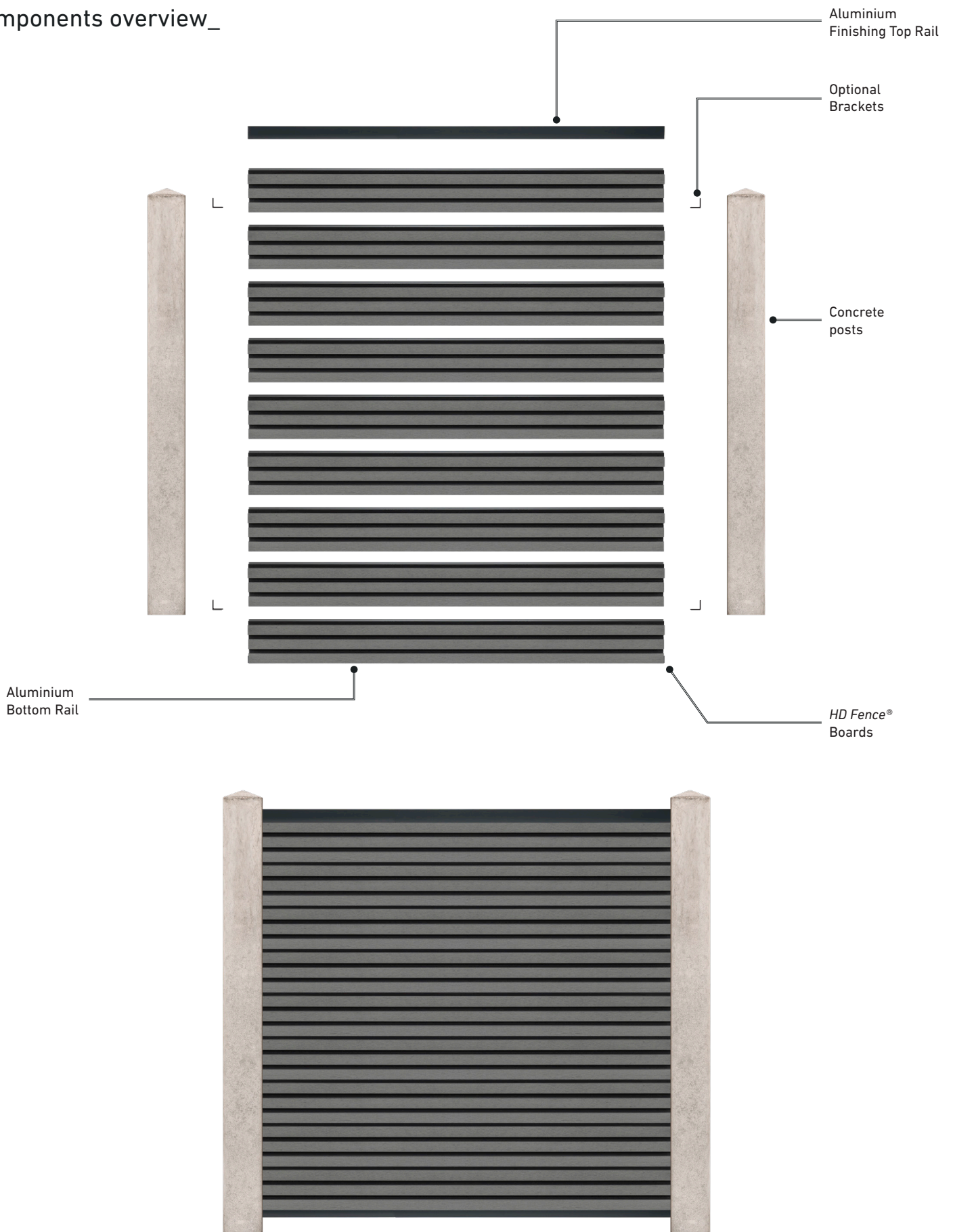
*Once U Channel and Fence Boards are installed place Post Cap on the post.

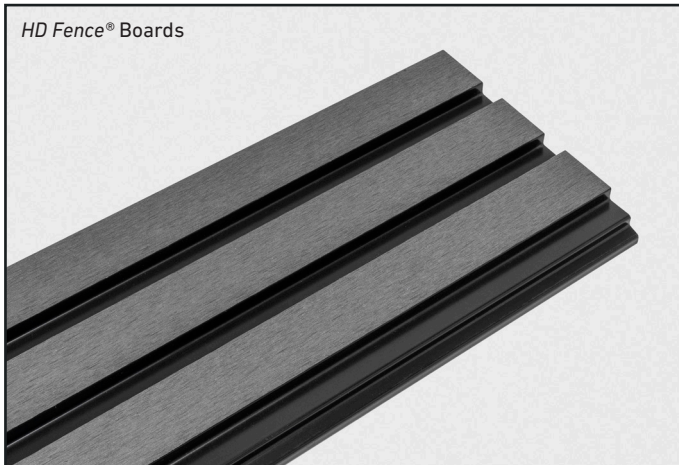
Optional: Installing *HD Fence®* U Channel to start fence from solid structure.



Place the U Channel onto the side of the structure and fix with screws.

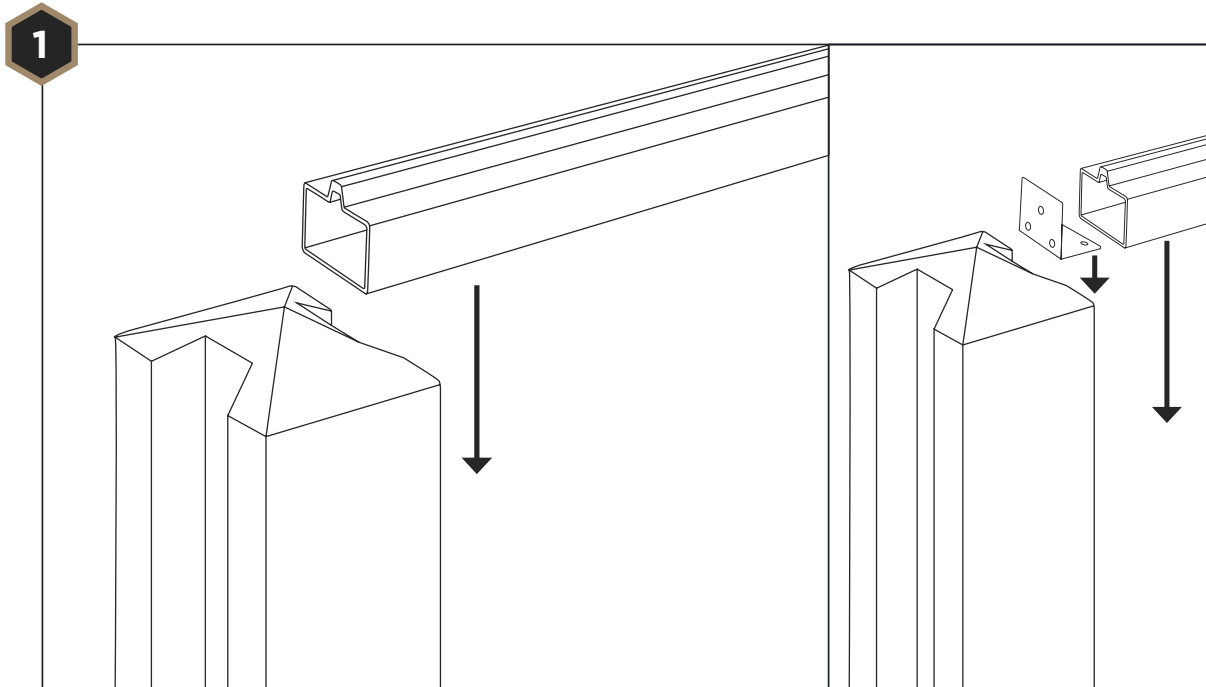
components overview_





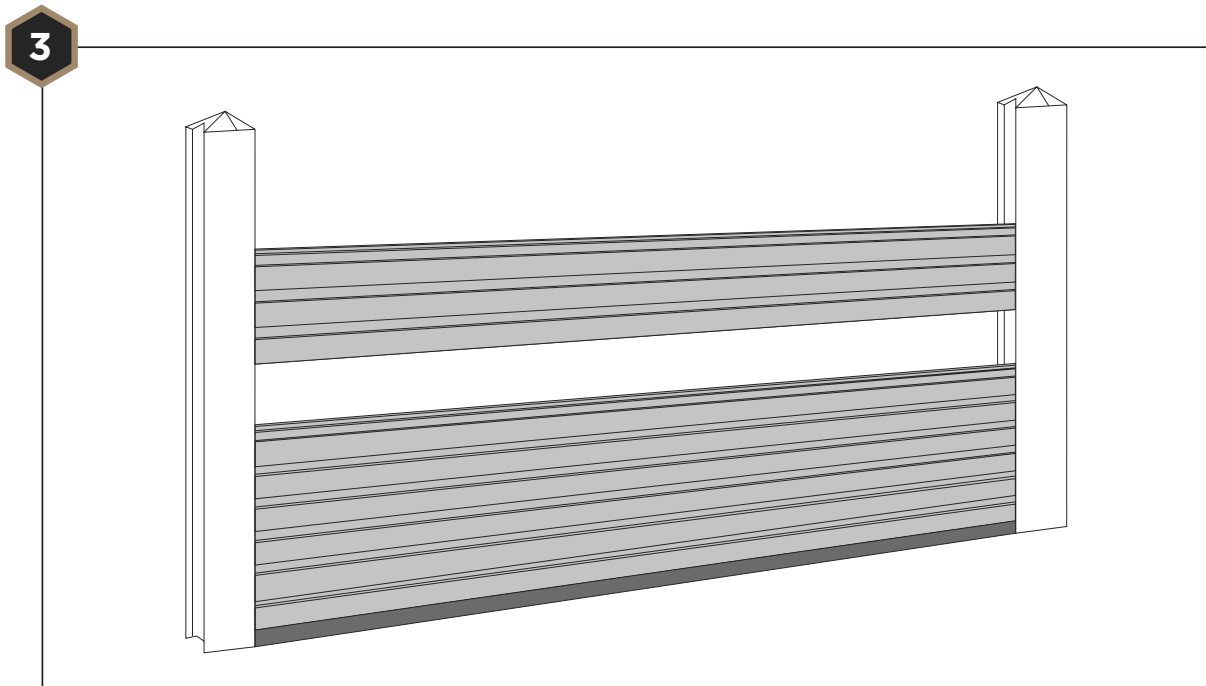
* If your existing concrete posts have gravel boards you do not require the bottom rail.

Step 2: Installing HD Fence® with existing concrete posts.



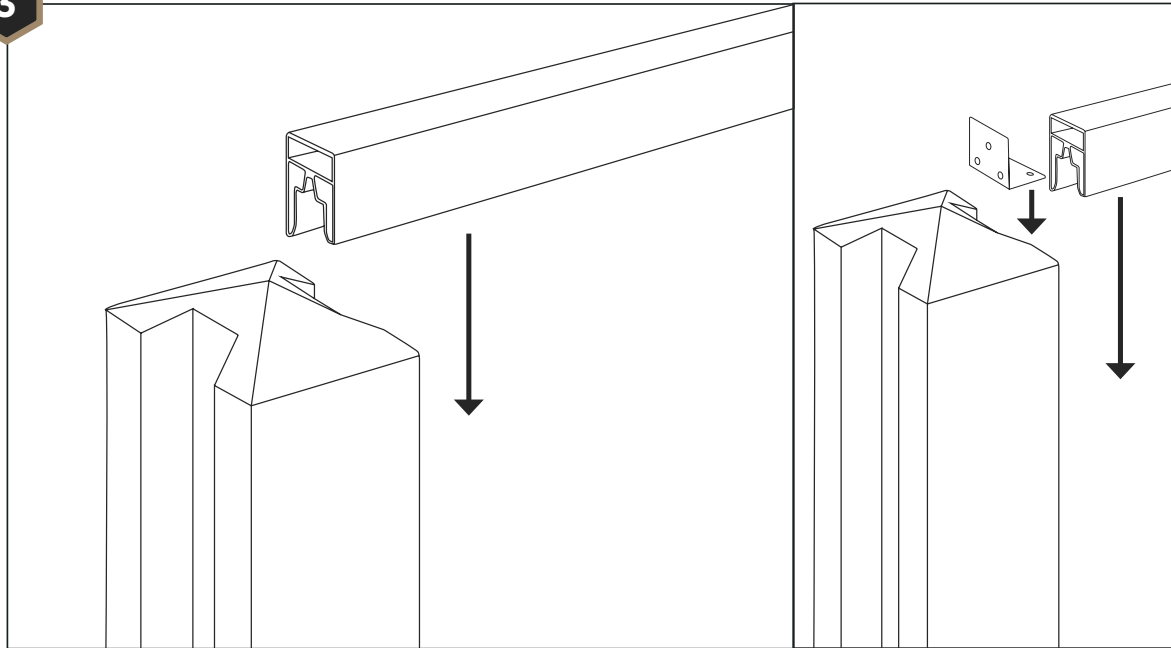
Place the Aluminium Bottom Rail between the concrete posts and slide to the bottom (not required if your existing concrete posts have gravel boards).

*Drill and fix plug the optional Bracket to level and secure the Bottom Rail



Slide the HD Fence® boards into position, making sure the bottom one is level. Continue sliding in the boards until the panel is completed.

3



Finish the panel with the Finishing Aluminium Top Rail.

*Secure with the optional Fixing Bracket and Screws.

Composite Prime Care & Maintenance Guidelines

Care Guidelines

Even though *HD Fence*® is a low maintenance product periodic cleaning is recommended, even if your *HD Fence*® appears clean it is important to prevent the build-up of pollen and debris that can cause mold growth.

Weathering

During the first 6 - 12 months the colour pigments will stabilize, during this time fading may occur before weathering naturally.

Cleaning Guidelines

Domestic pressure washers may be used with caution in conjunction with the spray nozzle. Pressure washers can be used to remove stains, ground-in dirt and chalk. Keep a distance of at least 1ft between the nozzle and the fence to prevent damage. If unsure about the product being used to clean/remove stains from your fence, it is always recommended that you test a small area in an inconspicuous place to determine if the cleaning product will cause any unwanted discolouration.

Dirt, debris and watermarks

Clean the fencing to remove dirt or debris by using soap, hot water and a stiff bristle. Rinse thoroughly.

Mold and Mildew

Use an organic cleaners such as Algon or a sodium percarbonate oxygen activated bleach. Ensure all detergent is washed off after use.

Rust Stains, Ground-in Dirt and Grime

Use a cleaning product containing oxalic or phosphoric acid base to lighten or remove the rust or dirt. Product may need to sit on stain 10-15 minutes. Rinse thoroughly.

Chalk Markings

Scrubbing the area with hot soapy water may dislodge some of the chalk. Rinse thoroughly.

Oil and Grease Stains

Scrub in a household-degreasing agent as soon as the stain occurs. Rinse thoroughly with warm water. Or use *abzorbit*™ grease and oil stain remover.

Berries Stains

Mix an eco friendly sodium percarbonate bleach in hot water label. Scrub the stain lightly and immediately rinse the area thoroughly. Note: Using too much bleach may cause lightening of the fence colour. The stain may not disappear entirely.

Images and drawings are for illustrative purposes only. *HD Fence*® may be installed in a variety of configurations, we recommend that you plan this before starting the installation. When cutting, always saw the board with a new fine-toothed blade to prevent dragging that can cause furring and split ends after installation. If making a large number of cuts, the blade should be replaced regularly. Don't forget to register your warranty, within 45 days of purchase, at www.composite-prime.com/register-warranty.