



Installing Boardwalk Composite Decking	2
Fastening Methods	5
Boardwalk Composite Square Shouldered Boards	6
Trimming a Boardwalk Composite Deck	7
CONCEALoc® Hidden Fasteners	8
Cortex® Hidden Fastening System	11
Care and Handling	13
Warranty	14

Boardwalk Decking should be installed using the same good building principals used to install wood or composite decking and in accordance with the local building codes and the installation guidelines included below. Composite Prime® accepts no liability or responsibility for the improper installation of this product. Boardwalk Decking may not be suitable for every application and it is the sole responsibility of the installer to be sure that Boardwalk Decking is fit for the intended use. Since all installations are unique, it is also the installer's responsibility to determine specific requirements for each deck application. Composite Prime® recommends that all applications be reviewed by a licensed architect, engineer or local building official before installation. To get more information visit composite-prime.com

Access Installation Resources 24/7.

Installation guides and videos are available on our web site at www.composite-prime.com

Do you need help with your installation?

We have an excellent customer service team that is here to help you with your installation questions. If you need help you can call customer service at 0113 426 2770 or visit composite-prime.com to view Boardwalk installation videos.

Tools Required

Boardwalk boards can be installed with a minimum number of readily available tools. However, many other tools are available that can provide even greater efficiency and ease of installation. All tools should be used per applicable manufacturers' instructions. Some of the basic tool requirements:

- Cordless Driver
- Chalk Line
- Tape Measure
- Jig Saw
- Carpenter Square
- Spacing Tools
- Circular Saw
- Safety Glasses
- Drill Bits

Use the jigsaw to cut around obstructions such as posts. A power miter saw can also be very helpful during installation. For a power miter or compound power miter saw a fine finish alternate top bevel blade is also recommended. When working with Boardwalk products be sure to wear proper clothing and safety equipment. Safety glasses should be used during the entire installation process.



STOP! Read this section before you start!

Always make sure to visit composite-prime.com to ensure you are viewing the most current installation instructions, care and cleaning, technical information and more.

Walking Surface

Boardwalk boards are intended to be installed embossed side up only. The unembossed surface is not to be used as a walking surface. This applies to all Boardwalk boards.

Directional Notch

Boardwalk boards surfaces are directional in manner. A notch has been added to one side of the boards. When installing boards, this marked edge must be laid to the same side for the entire installation for a consistent appearance.

Static Electricity

The buildup or generation of static electricity is a naturally occurring phenomenon in many plastic based products such as carpeting, upholstery, and clothing, and can occur on alternative decking under certain environmental conditions.

Overhang

All Boardwalk Composite Decking boards can be made to overhang a maximum of 25 mm (1"). All scalloped boards can only be cantilevered on the ends.

Safety

Unlike traditional wood, Boardwalk product is splinter-free.

Color and Grain Patterns

Boardwalk Decking is designed to mimic the look of real wood, and like real wood, there will be a slight difference in color and grain pattern from board to board. This is intentional and part of the manufacturing process, giving Boardwalk decking the most realistic and wood-like appearance possible. This variation is purely aesthetic and does not or will not affect the performance of the product. Boardwalk is designed to naturally weather over time and the surface grain pattern will weather to a more consistent color. Most of the weathering process will be complete within the first year of the deck's life. When working with multiple units of decking, consider pulling boards randomly to mix rather than completing one unit at a time. It is always a good practice to layout deck boards in different lighting conditions/angles before final fastening.

Note

Boardwalk is NOT intended for use as columns, support posts, beams, joist stringers or other primary load-bearing members. Boardwalk must be supported by a code-compliant substructure. While Boardwalk products are great for deck re-boarding (removing old deck surface boards and installing Boardwalk on code-compliant substructure), Boardwalk boards CANNOT be installed on top of existing deck boards.

Routing

Boardwalk Decking should not be routed on the edges, ends, or sides with the exception of the start/stop boards as shown in this guide (under CONCEALoc section).

Notching

Whenever notching a board for a post or any obstruction, the deck board must be handled carefully and be fully supported under the notched area when installed.

Extreme Heat Warning

Be aware of excessive heat on the surface of Boardwalk products from external sources, such as but not limited to, fire, hot ashes/embers, fire pits, grills, or reflection of sunlight from Low-emissivity energy-efficient window products. Low-emissivity (Low-E) glass can potentially harm Boardwalk products. Low-E glass is designed to prevent passive heat gain within a structure and can cause unusual heat build-up on exterior surfaces. This extreme elevation of surface temperatures, which exceeds that of normal exposure, can possibly cause Boardwalk products to melt, sag, warp, discolor, increase expansion/contraction, and accelerate weathering. Current or potential Boardwalk customers that have concerns about possible damage by Low-E glass should contact the manufacturer of the product which contains Low-E glass for a solution to reduce or eliminate the effects of reflected sunlight.

Color and Temperature

Although Boardwalk products are cooler to the touch than many other deck board products in similar colors, all decking products will get hot in the sun. Additionally, the darker the decking color, the hotter it will feel.

Excessive Construction Debris

It is important during construction, that the deck's surface stay clear from excessive build-up of dirt, sand, and dust from tile, concrete, landscape blocks, or any other masonry products. If these materials are not removed immediately, the deck surface will become difficult to clean and can potentially damage the deck's surface finish. Boardwalk Decking should not be used as a work surface. If a build-up does occur please refer to the Care and Cleaning section in this Guide or visit www.composite-prime.com

Calculating Material Requirements

To determine how much Boardwalk decking material you will need, start by calculating the square footage of your deck surface by multiplying length by width. Once you know this number, divide it by the numbers provided below for 3,66 m (12') boards, 4,88 m (16') boards and 6,10 m (20') boards.

Once you know the square footage number, divide it by 5.5 for 3,66 m (12') boards, 7.3 for 4,88 m (16') boards and 9.1 for 6,10 m (20') boards.

When calculating the amount of decking you will need, it is recommended that you add roughly 10% to the total for a scrap factor.

Example: Length x Width = Total Square Footage

Square Footage ÷ by 5.5 (3,66 m (12')), 7.3 (4,88 m (16')) or 9.1 (6,10 m (20')) = Boards Needed (Round the number up)

Boards Needed + 10% (Scrap Factor) = Final Number of Boards Needed (Round the number up)



Working With Boardwalk Boards

Expansion and Contraction

Boardwalk deck boards will expand, contract, move, and gap with changes in temperature. Expansion and contraction are most significant where extreme temperature changes occur. Fastening the deck boards according to the gapping requirements noted in the following table accommodates for this movement.

It is recommended to add additional framing, tighter joist spacing (152 mm to 203 mm (6 to 8") maximum). Also, only use top-down fastening in these locations such as near glass, areas of high heat build or sunlight reflection.

Changes in length are most significant during the installation process, and should be accounted for if working in extreme temperatures. A good example would be cutting your boards during a hot afternoon, letting them sit outside overnight in the cool air and then installing them the next morning. Chances are, you will notice a certain amount of contraction. The best way to minimize this problem is to fasten your boards as soon after cutting as possible.

Gapping Requirements For All Boardwalk Boards

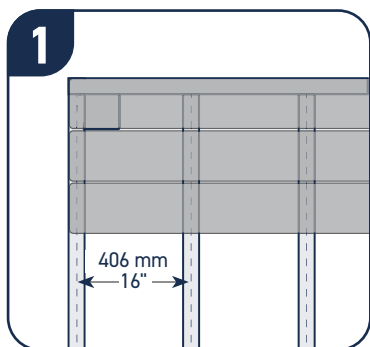
- Side-to-side board gapping must be minimum 3 mm to 5 mm (1/8" to 3/16") maximum
- Allow 5 mm (3/16") minimum gap where the boarding meets any adjoining structure or post. Follow these butt joint gapping guidelines for all Boardwalk boards:

Butt Joint Gapping Requirements		
0°C (32° F) and below	0,5°C (33° F) to 23°C (74°F)	24°C (75° F) and above
5 mm (3/16") gap	3 mm (1/8") gap	0.8 mm (1/32") gap

Substructure/Preparation

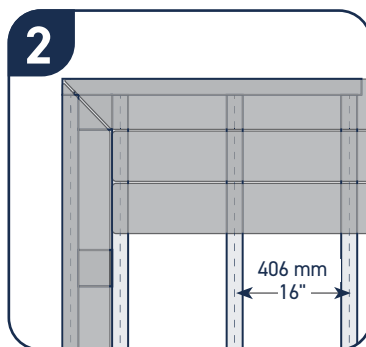
Follow these guidelines for best deck installation:

- Prior to installation, check to make sure all joists are level structurally sound, and there are no nails or screws protruding.
- As joists are installed, run string line frequently to ensure that the tops of the joists are in plane, as Boardwalk Decking will conform to the contour of the joists to which it is attached. It may be necessary to shim or plane joists due to size variations in lumber. Be sure to sort and exclude any extremely crowned joists/lumber material.
- Proper joist spacing is required for proper installation. Joist spacing should never exceed 406 mm (16") on center. For a more rigid feel, 305 mm (12") may be preferred. However, all angled or commercial installations of decking require 305 mm (12") oc max.
- For best results, install solid wood blocking between each joist, placed every 1,22 m - 1,83 m (4' - 6') within the structure, can help reduce movement or twisting of the joists. Limiting joist movement can help reduce excessive gapping and also ensure more uniform finished surface of the Boardwalk Deck.



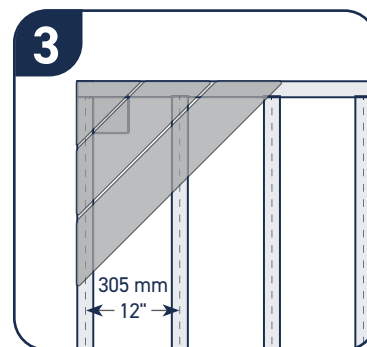
406 mm (16") BASIC INSTALLATION SUBSTRUCTURE

406 mm (16") on center maximum joists.
(305 mm (12") on center for commercial applications)



PICTURE FRAME INSTALLATION SUBSTRUCTURE

406 mm (16") on center maximum joists plus additional support for picture frame structure
(305 mm (12") on center for commercial applications)



DIAGONAL INSTALLATION SUBSTRUCTURE

305 mm (12") on center maximum joists
More severe angles may require closer joist spacing.

Boardwalk Fascia and Riser Boards

Using screws with proper installation of Boardwalk Fascia provides the best long-term holding. Boardwalk recommends the use of TOPLoc Fascia Fasteners for best results. Refer to gapping requirements on page 3 for proper installation

For Use with TOPLoc Fascia Fasteners:

Using the TOPLoc Fascia Bit, pre-drill 51 mm (2") from the top and bottom alternating a maximum of 305 mm (12"). It is recommended that screws are evenly spaced for the best look.

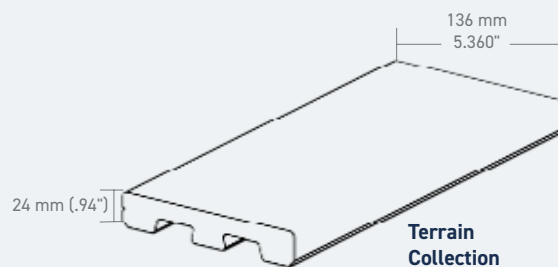


- Set fascia in place being sure to follow proper gapping requirements.
- Drive TOPLoc fascia fastener 90 degrees with the fascia surface so that the screw head is flush with the surface. Do not completely torque down screw; screw should serve as a hanging mechanism to allow for expansion and contraction in the fascia
- Continue fastening in pattern described being sure to work left to right or right to left. This will ensure flatness in the fascia. If preferred, TopLoc Fascia Fasteners may be installed 2 every 305 mm (12"), 51 mm (2") from the top and bottom.

Boardwalk[®] Square Shouldered Boards

Boardwalk recommends the use of Cortex Fasteners for square shouldered deck board installations. Pre-drilling is required when within 38 mm (1-1/2") of the ends of the board and for temperatures below 7° C (45 degrees Fahrenheit) to avoid splitting and screw shear. Alternate fasteners are stainless steel or high-quality coated composite deck screws.*

*Cortex cannot be used on boards with a scalloped bottom.



Always be sure to check and cut the factory cut ends of all boards to ensure they are square.

Fastener Mushrooming:

This may occur when a non-composite deck screw is driven into the decking. It can be greatly reduced or eliminated by using a screw designed for composite lumber. When installing Boardwalk decking, using TOPLoc reduces chance of mushrooming. If mushrooming occurs, we recommend pre-dimpling the board by drilling a hole slightly smaller in diameter than the screw head and as deep as the screw head before driving the screw.



Any fastener driven through the edge of a Boardwalk Composite Deck board should not be used to avoid splitting of the board.

The use of any fastener driven through the edge of the deck board is not recommended and voids any warranty provided with Boardwalk Decking.



Composite Prime[®] recommends using the specified fasteners with Boardwalk Decking. These fasteners are specifically engineered and tested to work with Boardwalk Decking boards and with unique profile and material characteristics designed to deliver the best results and to minimize the risk of issues during or after installation, including but not limited to gapping, warping, board movement, oil canning, and squeaking. These types of issues are not covered by the product warranty and Composite Prime[®] will not be financially liable in the event such issues arise.



Fasteners should be installed perpendicular to the deck surface and driven flush; do not overdrive or splitting will occur. Always double joists at butt seams. Do not toe screw deck boards as this will cause splitting.

Important Information

To get information on other Boardwalk products, visit composite-prime.com or ask your dealer for these installation guides:

- Boardwalk boards are intended to be installed embossed side up. The unembossed surface is not to be used as a walking surface. This applies to all decking surfaces.
- In areas with obstructed airflow such as roofs and on-grade applications, a minimum of 38 mm (1-1/2") sleeper system supported by and connected to the substructure over which the deck is built is required.
- To aid water run-off, the deck should slope 13 mm (1/2") for every 203 mm (8') away from the house.
- To further minimize expansion and contraction, proper ventilation and airflow should be considered.
- For best practices in climates with extreme temperature cycles, limiting the length of the deck board and avoiding affixing to the rigid length of the joist in applications such as picture framing or parting boards can help avoid movement and screw shear.

- On-grade decks must have additional provisions for drainage beneath the deck structure.
- For best practices, decking should not be installed in applications where ventilation and airflow cannot be achieved.

Maximum Joist Spacing

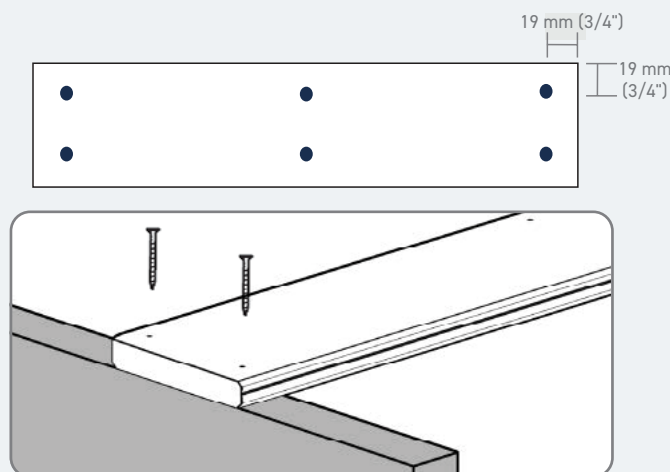
Boardwalk			
	90° Angle	30° Angle	45° Angle
488 kg/m ² 100pst	406 mm (16")	356 mm (14")	305 mm (12")

Special conditions will require an engineering inspection and/or reduced spans. Always consult local building codes.

Square Shouldered Board Installation Instructions

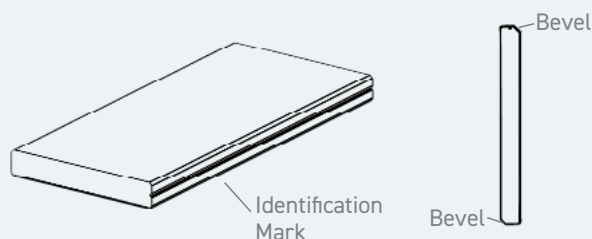
- Always be sure to check and cut the factory cut ends of all boards to ensure they are square.
- Install from the outside edge of the deck and work toward the house.
- Fasten no closer than 19 mm (3/4") from the outside edge of each board, using two screws per joist including end joints.
- For gapping requirements, see page 3.
- The ends of the boards must fall on a joist. Always double joists at butt seams. Do not toe screw deck boards as this will cause splitting.
- Always install fasteners perpendicular to board surface and drive flush. Do not overdrive or splitting and mushrooming will occur.
- Pre-drilling is required when within 38 mm (1-1/2") of the ends of the board and for temperatures below 7° C (45 degrees Fahrenheit) to avoid end splitting and screw shear.
- Boardwalk Cortex requires pre-drilling with a 6 mm (7/32") bit for ALL applications.

- If installed without proper 6 mm (7/32") Pre-drill, mushrooming will occur. Cortex or TOPLoc fasteners are recommended for best results.



Directional Notch

The surfaces of these products are directional in manner. A notch has been added to one side of the boards. When installing boards, this marked edge must be laid to the same side for the entire installation for a consistent appearance.

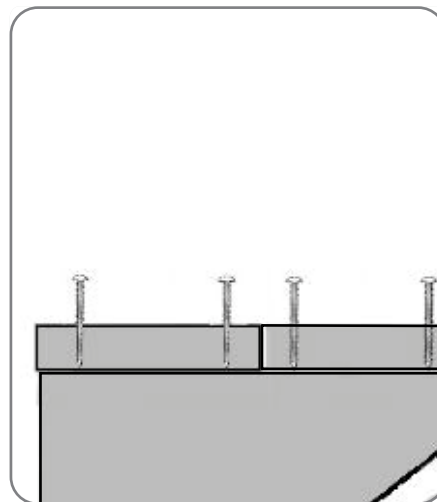


Stair Installation

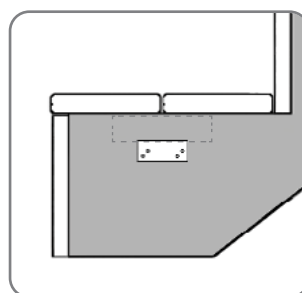
Boardwalk does not recommend installing boards on steps without a riser board.

- Stairs should be constructed per local code requirements.
- Ensure the stringer step is at least the depth of two full boards plus a 3 mm to 5 mm (1/8" to 3/16") gap between boards.
- For gapping requirements, see page 3
- Ensure there is at least one stringer for support in the middle of the stair span.
- Stair landings and multi-level decks where there is a step down should use the same structural support as required on stairs.

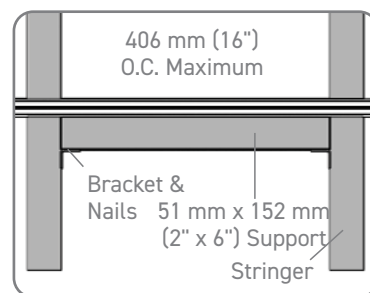
Boardwalk Stair Stringer should have a maximum 406mm (16") spacing when used as a veneer.



General Stair Installation



Side View



Front View

 Boardwalk must be used as a veneer in a stair tread application. see figure to the right.

Additional Components

Support	51 mm x 152 mm (2" x 6") Support
Bracket	38 mm x 51 mm (1.5" x 2.0") Simpson Strong Tie A23Z Galvanized Connecting Angles
Bracket Nails	38 mm (1-1/2") Simpson Strong-Tie N10D5HDG (4 mm (0.150") in diameter , 8 mm (0.315") in head diameter) galvanized nails

Trimming a Boardwalk Deck

Boardwalk Fascia Boards:

- For Fascia and Riser Installation, see Fastening Guide lines on page 4.

Fascia

- All Boardwalk Composite colors
- 3.66 m (12') lengths - 14 mm (9/16") thick by 305 mm (12") wide

Boardwalk Stairs and Risers:

- Use as a riser for stairs.
- Can also be used as a fascia board for a 51 mm x 203 mm (2" x 8") fascia board.
- 3.66 m (12') lengths and 14 mm (9/16") thick x 184 mm (7-1/4") wide.

Riser

- All Boardwalk Composite colors

Important Information

CONCEALoc Hidden Fasteners were designed exclusively to install Boardwalk grooved boards.

 **Always be sure to check and cut the factory cut ends of all boards to ensure they are square.**

- In areas with obstructed airflow such as roofs and on-grade applications, a minimum of 38 mm (1-1/2"), sleeper system, is required.
- Sleeper system must be supported by and connected to the substructure over which the deck is built.
- To further minimize expansion and contraction, proper ventilation and airflow should be considered.
- On-grade decks must have additional provisions for drainage beneath the deck structure.
- For best practices, decking should not be installed in applications where ventilation and airflow cannot be achieved.
- Do not use CONCEALoc Hidden Fasteners or L-Bracket for stair installation.
- For gapping requirements, see page 3

CONCEALoc Accessories

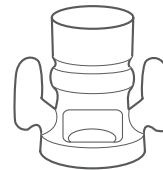
- 9 m² (100-square-foot) coverage box. Includes stainless steel clips and screws.
- Bulk Bucket – 90 m² (1,000-square-foot) coverage. Includes stainless steel clips and screws.
- CONCEALoc Gun Pail – 46 m² (500-square-foot) coverage for use with the TigerClaw pneumatic installation tool sold by FastenMaster. Includes quality coated pneumatic fasteners. Stainless steel fasteners for coastal applications available through FastenMaster. Pneumatic tool must be tuned specifically to install lightweight Advanced PVC Deck. Failure to do so can result in less than desired securing/tightness of fastener, boards lifting from joists, boards feeling loose or movement and could generate squeaking/noise.
- L-Bracket – avoid face-screwing by using the L-Bracket on first and last boards or as a butt seam clip to ensure a fastener-free surface.
- CONCEALoc Router Bit – cut a 51 mm (2") wide groove on a solid board for a perfect CONCEALoc fastener fit – even allows for cutting an installed board over a joist.
- CONCEALoc screw packs available on Boardwalk.com
- If using the CONCEALoc Gun Pail with the TigerClaw Installation Gun please refer to the retail packaging for further installation guidelines.

CONCEALoc® Hidden Fastener Installation Instructions

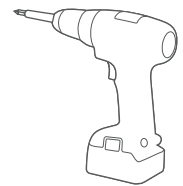
TOOLS NEEDED



Safety Glasses



Router with Slot Cutting Blade (Optional)

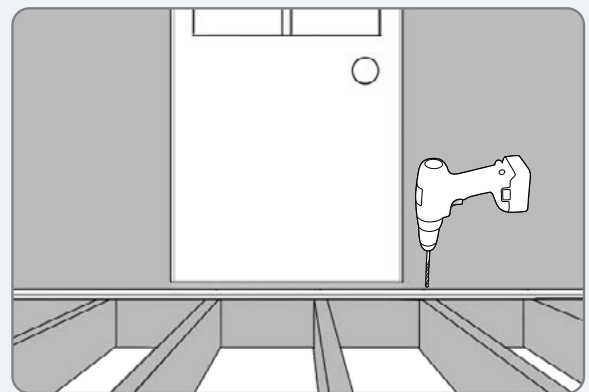


Drill

1

INSTALL THE FIRST BOARD

- Pre-drill with 4 mm (5/32") drill bit and fasten outer edge of the first board at each framing support 19 mm (3/4") from the edge using TOPLoc for Composite.
- For further instructions for the L-Bracket or Cortex, please refer to the instructions in the package.



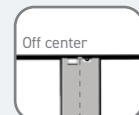
2

POSITION CONCEALoc® FASTENERS

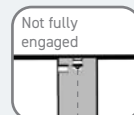
- Fully insert the CONCEALoc fastener into grooved edge of board. Screw hole should be lined up with the center of support joist.



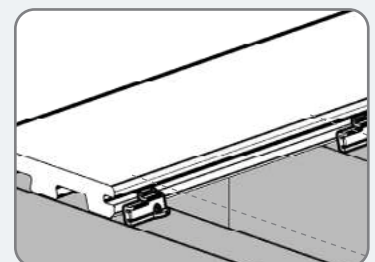
Correct



X Incorrect



X Incorrect

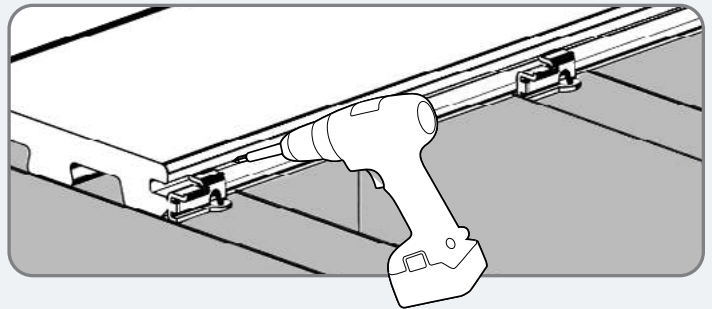


Correct

3

INSTALL CONCEALoc® FASTENERS

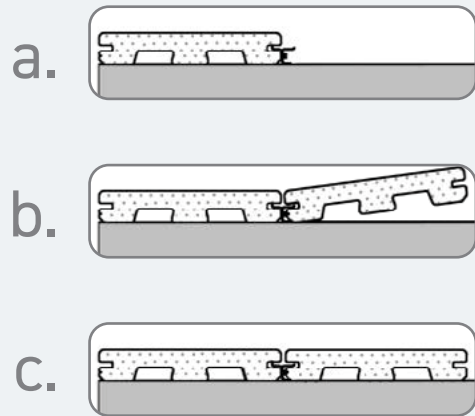
- Install provided CONCEALoc® screw at 45° angle through the fastener and into the joist while applying pressure on the fastener.
- Install one fastener and screw at each joist location. See specific and additional requirements for butt joints.
- Make sure fastener is in full contact with edge of board and the screw is holding the fastener down tight to the deck board.



4

COMPLETE INSTALLATION

- Place the next board into position against the fasteners. Slightly raise the outer edge of the board being installed and slide it onto the fastener until the board contacts the spacer tab. When properly installed the inserted board should be in contact with the bent-forward spacer tab at the left end of the clip. To achieve this use wood 51 mm x 102 mm (2" x 4") as a beater board at least 610 mm (24") in length and use it as a tamping block to bring edge of deck board into contact with the spacer tab to ensure proper spacing. **Never strike the edge of decking directly with hammer as damage will occur. Always use beater board.**
- The last board will need to have the outside edge attached using the method described in Step #1. It may be necessary to rip the last board to fit.

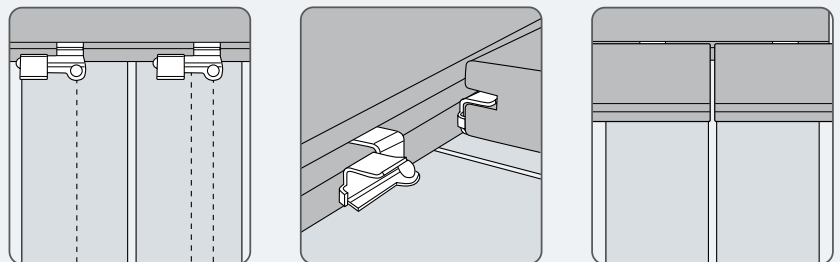


5

HOW TO INSTALL AT BUTT JOINTS

⚠ Joists at butt joints must be doubled up for proper fastener attachment.

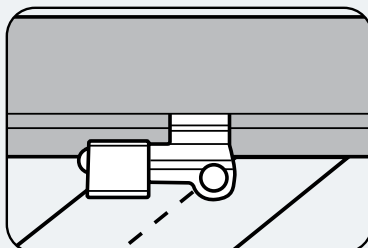
- Install fasteners as detailed below. Note that the two clips on the right are shifted approximately 6 mm (1/4") to the right of center on the joists. If this is not done the spacer tab may fall within the gap of the butt joint.



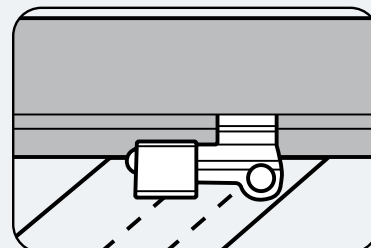
6

HOW TO: INSTALL ON DIAGONAL

- When the deck is located in a corner of the house, start with small triangular piece of decking in the corner and work your way out.
- Offset the center 13 mm (1/2") towards the long point of the joist, so screw will not exit the side of the joist when driven.



✗ Incorrect



Correct: Shift over 13 mm (1/2")

7

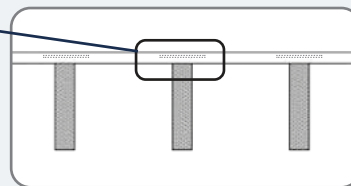
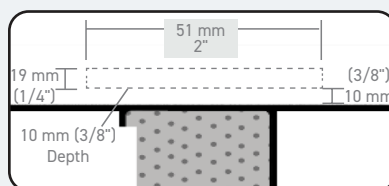
COMPLETE INSTALLATION

- Make two parallel cuts down the center of the board to be replaced, then remove the center piece.
- Using a small pry bar, remove the remaining pieces of decking from the tabs.
- Using a reciprocating saw, remove the tabs on the side of the board with the screw heads showing.
- Position new board into place, and carefully drive onto remaining tabs.
- Once the board is set into position, secure the loose edges with Cortex, stainless steel, or high-quality coated deck screws.

8

HOW TO USE: CONCEALoc® FASTENERS WITH SQUARE SHOULDER BOARDS

- Create a 51 mm (2") long notch on the edge of the board at every joist. Do not groove the full length of square shouldered deck boards.
- Use the CONCEALoc Groove Cutting Router Bit or a Freud model #56-112 or Bosch model #85610M 6 mm (1/4") slot cutting bit.
- Flip the board over and start the notch 10 mm (3/8") off the bottom of the board.
- Set the depth of the cut from 11 mm to 13 mm (7/16" to 1/2") deep.



Note: Be sure to ID the side of the board that has the directional notch; the boards with IDs should be installed to the same side. See Directional Notch on page 5.

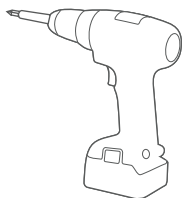


Do not use CONCEALoc Hidden Fasteners or L-Brackets for stair installations.

Cortex® Hidden Fastening System Installation Instructions

Suggested Drills

Corded or cordless drill



! Impact Drivers are not recommended when using Cortex.



Important Information

- Pre-drilling with a 6 mm (7/32") drill bit is always required when installing Cortex in Boardwalk decking.
- The Cortex Setting Tool must be used to set the Cortex screw to the proper depth.
- The Cortex fastener must be driven perpendicular to the deck surface for proper fit and ideal finished look. (DO NOT drive on angle).
- The cored hole must be free of debris or moisture. Use a smooth hammer head to set the Cortex plug.
- The interaction between the deck board, screw, and plug is essential. Use of non-Cortex Screws or plugs will nullify the warranty.
- For gapping requirements, see page 3

Important Information

- Pre-drilling is required for installation into Boardwalk decking or mushrooming and splitting will occur.
- Pre-drilling should be done with a 6 mm (7/32") drill bit to create the proper pilot hole.
- No fasteners should be installed closer than 19 mm (3/4") from the end or edge of the board.

Restricted Cortex Uses

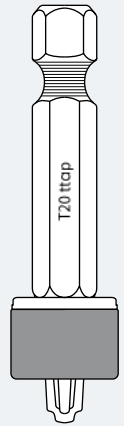
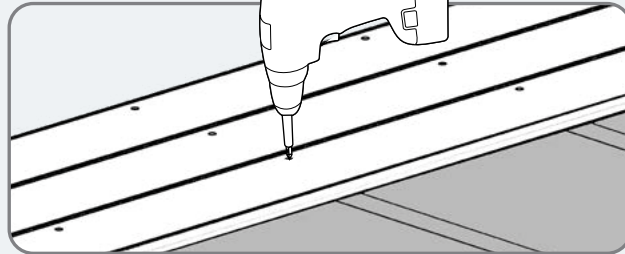
The Cortex System is designed for traditional elevated deck surfaces. The following applications require a different fastening method:

- For framing less than 51 mm (2") in thickness, shorter Cortex screw option may be required.
- For attaching fascia and riser boards: Boardwalk TOPLoc Fascia Fasteners should be used.
- Docks or decks with framing members in constant contact with saltwater.

1

PRE-DRILL

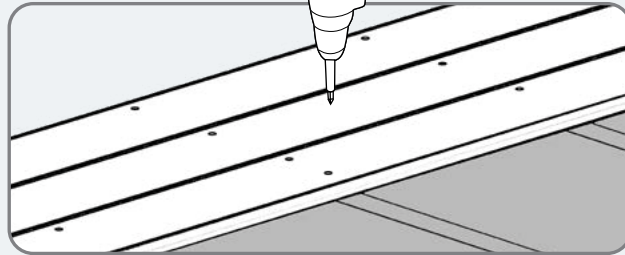
- Pre-drill deck board with a 6 mm (7/32") drill bit



2

DRIVE SCREWS INTO JOISTS

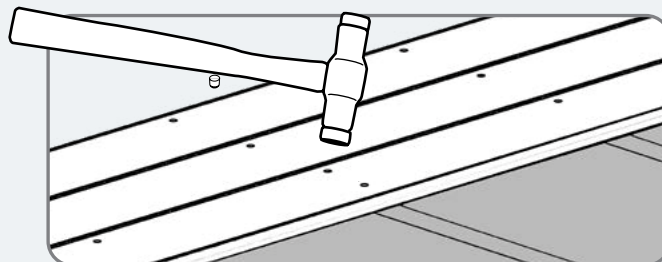
- Using Setting Tool provided, drive screw at medium or high speed until it disengages at the proper level below the deck surface.
- Drive at one continuous speed, do not slow down.
- Install two screws into decking at each joist
- Maximum spacing between each row of screws should be 406 mm (16") on center.



3

INSTALL PLUG

- Place plug into cored hole and gently tap flush with deck surface
- If mushrooming occurs, stop installation and call customer service at 0113 426 2770



With proper installation and care, Boardwalk products will provide years of outdoor living pleasure.

For most current recommendations or to download a PDF, visit composite-prime.co.uk

Recommended Products for Boardwalk Composite

We know you want to keep your Boardwalk Deck clean and looking its best, so here are a few guidelines on the best products and methods to use to keep your Boardwalk Deck looking great.

Always make sure to read the cleaning product manufacturers specific information before using any product on your Boardwalk Deck and follow their instructions.

Storage

Store Boardwalk products under cover to maintain a clean surface. If stored outdoors, they must be covered with a non-translucent material.

- All products should be stored flat and on a dry surface.
- Stack units with banding and bottom supports aligned.

Handling

Although all Boardwalk boards are made with low-maintenance materials, each board's unique features require special care and handling ensuring lasting beauty. To maintain the beauty of Boardwalk products, please follow these important guidelines when moving and working with Boardwalk:

- Never dump Boardwalk materials when unloading.
- When carrying Boardwalk boards, carry on edge for better support. When carrying a 6.10 m (20') boards should be carried by 2 persons to more evenly distribute the weight of the board and not concentrate the load at one point
- Do not slide boards against each other when moving them. When removing them from the unit, lift the boards and set them down.
- Do not slide tools or drag equipment across the top of the boards during construction.
- Keep the surface of the boards free of construction waste to prevent damage to the boards

Brushes

The correct brush is very important so that it not only cleans the surface, but also does not damage or dull the board surface. We recommend using a medium plastic bristle deck brush.

DO NOT use a natural fiber deck brush on capped composites as they can dull the surface.

Cleaner

For general periodic maintenance cleaning, use a dilution of mild liquid soap and water. Please note that cleaners specified as composite deck cleaners, in powder or liquid form, should not be used with Boardwalk Composite deck boards.

Boardwalk Composite deck boards are a capped composite material, the cap of these products are not compromised of a wood/plastic composite.

Cleaning Procedures:

In preparation for spot cleaning as well as full surface cleaning, you will need a bucket of water, one of the recommended scrub brushes with an extension handle and one of the recommended cleaners.

Work in small manageable areas. Avoid cleaning in direct sunlight, the UV and heat will dry the surface quickly as you attempt to clean.

Saturate the area with one of the recommended cleaners and allow the cleaner to soak for 30-60 seconds. DO NOT allow the cleanser to dry or evaporate before scrubbing. Rinse area thoroughly with water after scrubbing.

Using the recommended brush and extension handle, scrub using moderate downward pressure, first scrubbing in the direction of the grain and then against the grain getting into the surface texture. DO NOT allow the treated area to dry before rinsing thoroughly as this will allow dirt residue to dry in the surface texture.

Thoroughly rinse the treated area with clean water, then allow the area to completely air dry. Note that any residual cleaner can leave a difficult to remove surface film. Always rinse thoroughly and never allow the cleaner to dry or evaporate on the surface prior to rinse.

Power Washing

A power washer can be used when cleaning Boardwalk products. The recommended maximum pressure is 1500 psi for Boardwalk decks. A fan tip nozzle should be used along with the proper cleaning product. Spray in the direction of the brush/grain pattern to avoid damaging the product. Use caution not to damage the material and always take the proper safety precautions when operation a power washer.

Cleaner

The cleaners Boardwalk recommends for periodic cleaning or use with ReliaBoard include:

- Wash Safe Spray and Clean Composite Deck Cleaner
- Resist Mist Composite Deck Cleaner
- Corte Clean
- Super Deck Composite Deck Cleaner
- Thompson's Water Seal — Oxy Action

Dirt, Grime, Tannin and Mildew Stains:

Boardwalk wood/plastic composite products are formulated to inhibit mildew growth and minimize staining. Rinse off your Boardwalk products periodically with a hose. Even if it appears clean, it is important to prevent build-up of pollen/debris. Mildew stains may occur where moisture, pollens, and/or dirt are present. Mildew needs a food source to grow, which can be grass, pollens, dirt, debris, wood and wood resins.

Maintaining a clean, dry surface is the best method for combating mildew. Ensure that water drains effectively from your deck. For Boardwalk ReliaBoard, be sure that gaps exist between boards to allow for drainage.

Tannin Staining

Like any other wood-based product, Boardwalk's wood-plastic composite products (ReliaBoard) may experience a naturally occurring process called Extractive Bleeding/Tannins. This process may cause temporary discoloration that will weather away with exposure to flushing rainfall and UV. In most cases the weathering process takes 8-10 weeks but could vary depending on location and specific product application such as a covered porch. Tannins may also be cleaned by utilizing the cleaners referenced for Basic Cleaning Recommendations for ReliaBoard. These guidelines may not cover every care and maintenance scenario encountered. For additional questions about care and maintenance, call 800-307-7780.

Heat Buildup

Please be aware that excessive heat build on the surface of Boardwalk products from external sources such as, but not limited to, fire or reflection of sunlight can potentially lead to damage. For example, sunlight which may be reflected by low-emissivity (Low-E) glass can potentially lead to damage of exterior building products, including Boardwalk Deck, Rail, and accessories, due to elevation of surface temperatures which far exceed that of normal exposure of the same materials to direct sunlight. Possible damage by such reflected, concentrated light may include melting, sagging, warping, distortion, surface discoloration, increased expansion or contraction, and unusual weathering. Although Boardwalk Deck products are cooler to the touch than many other deck board products in similar colors, all decking products will get hot in the sun. Additionally, the darker the decking color, the hotter it will feel.

Static Electricity

The buildup of generation of static electricity is a naturally occurring phenomenon in many plastic based products such as carpeting, upholstery, and clothing, and can occur on alternative decking under certain environmental conditions.

Snow & Ice Removal

As with any walking surface, Boardwalk decking products may become slippery in winter weather. Take caution when walking on your Boardwalk deck in these conditions. Most products containing calcium chloride can be used without deck/porch surface. These products may leave a white residue damage to the deck/porch surface. These products may leave a white residue which can be cleaned using the cleaning guidelines above. Metal shovels or plastic shovels with a metal leading edge may damage the surface of Boardwalk decking and are not recommended for clearing snow from the deck surface.

Important

Do not allow airborne dust from concrete, landscape blocks, or any masonry product to accumulate on the surface of Boardwalk Deck, Rail, and accessories as it may damage the surface of the deck. Do not cut any product on or near Boardwalk Decking products. Always remove job site dust, clay, dirt, mud, and other construction dirt and debris to sit on the Boardwalk Deck surface. Do not cut metal objects such as railing on the deck surface, the hot debris from the cut may become embedded in the deck surface resulting in staining and damage.

Warranty

Boardwalk Products are made exclusively from technologically advanced materials designed to provide years of enjoyment. The following Boardwalk Composite Collections, Legacy, Reserve, and Terrain are covered by a 30-year limited warranty for residential applications and a 10-year warranty for commercial applications. As well as a 30 year residential fade and stain warranty.

The following Boardwalk Composite Collections, Prime+, Prime, and Premier are covered by a 25-year limited warranty for residential applications and a 10-year warranty for commercial applications. As well as a 25-year residential fade and stain warranty.

For a complete copy of Boardwalk warranties, visit [Boardwalk.com](https://www.boardwalk.com).